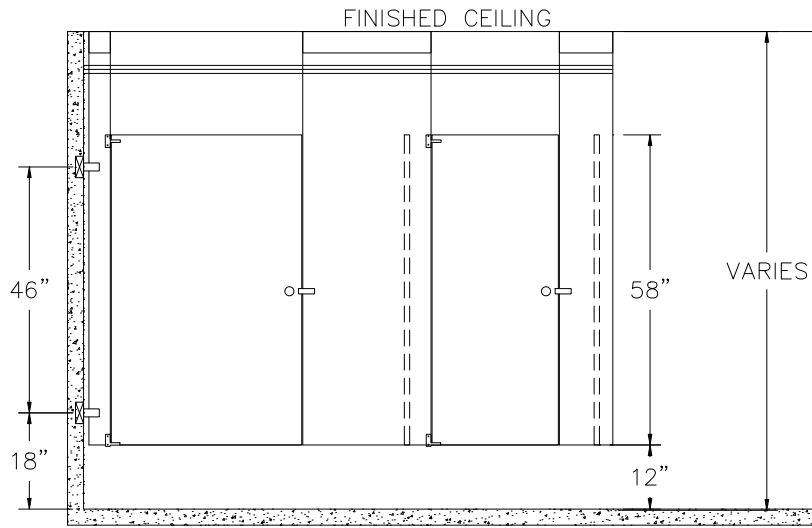
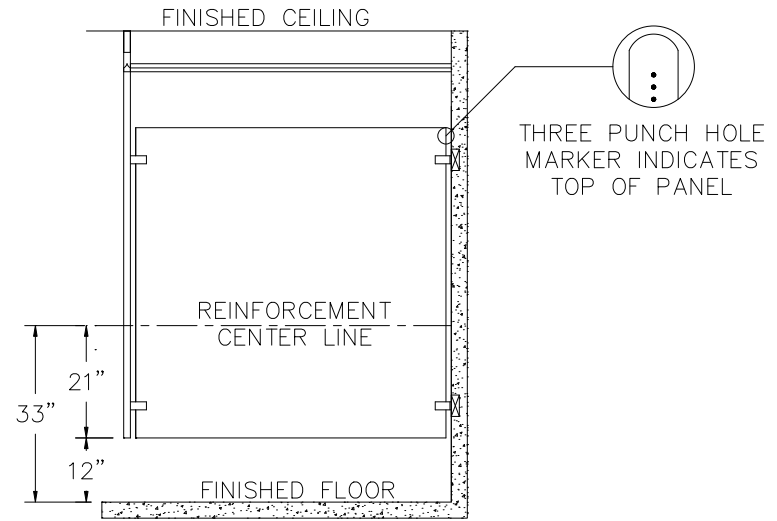


# CEILING HUNG BAKED ENAMEL / STAINLESS STEEL

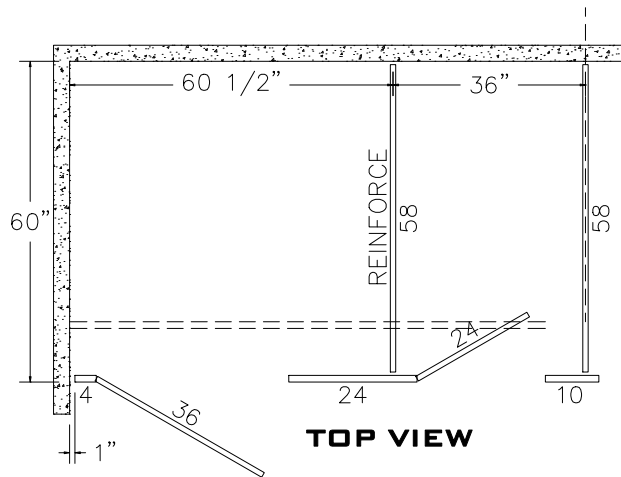


**FRONT VIEW**

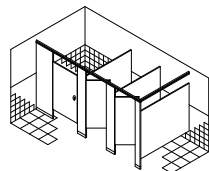
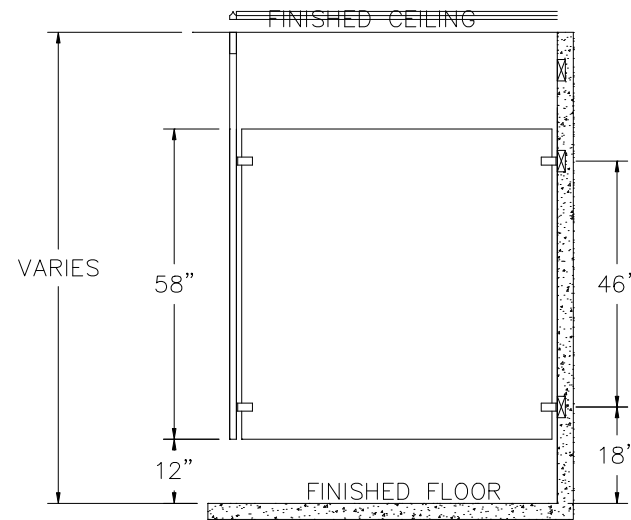


THREE PUNCH HOLE  
MARKER INDICATES  
TOP OF PANEL

**SIDE VIEW**



**TOP VIEW**



**ACCURATE PARTITIONS**  
**P.O. BOX 287 LYONS, IL 60534**