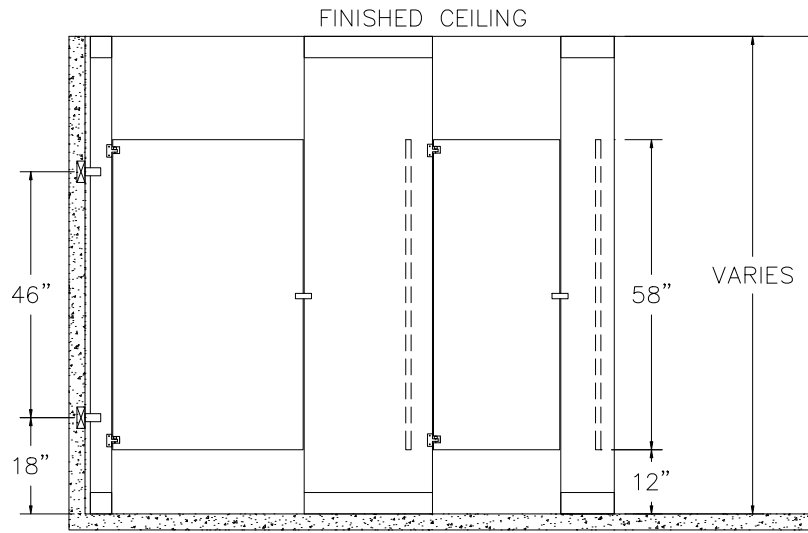
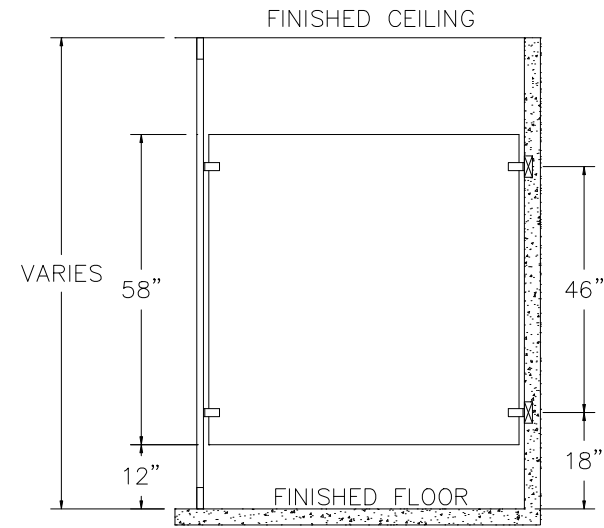


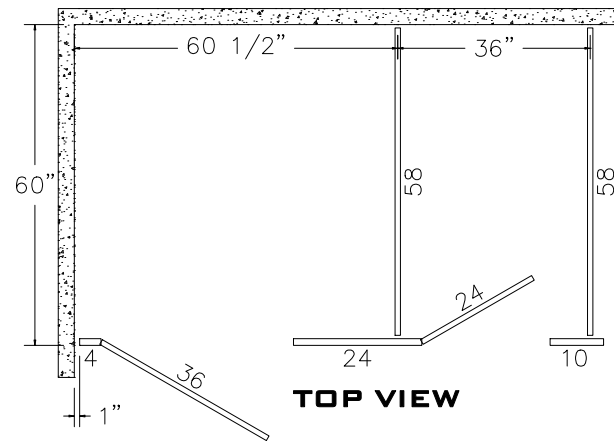
# FLOOR TO CEILING PLASTIC LAMINATE



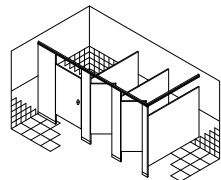
**FRONT VIEW**



**SIDE VIEW**



**TOP VIEW**



**ACCURATE PARTITIONS**  
**P.O. BOX 287 LYONS, IL 60534**