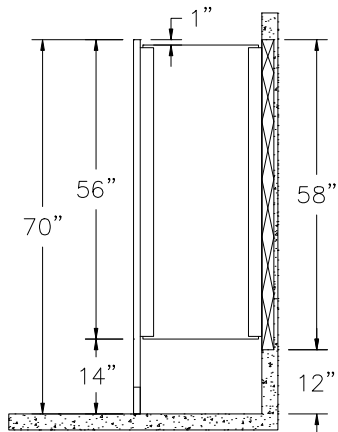
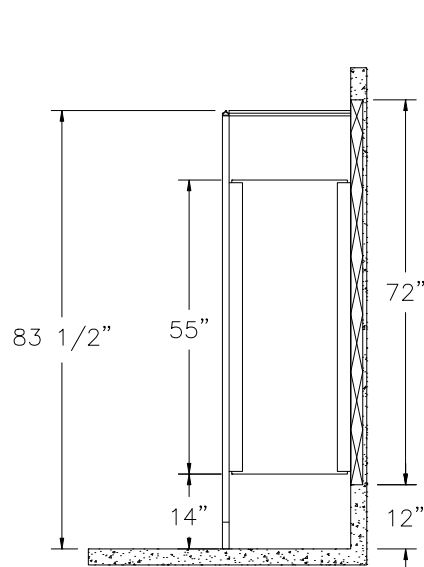


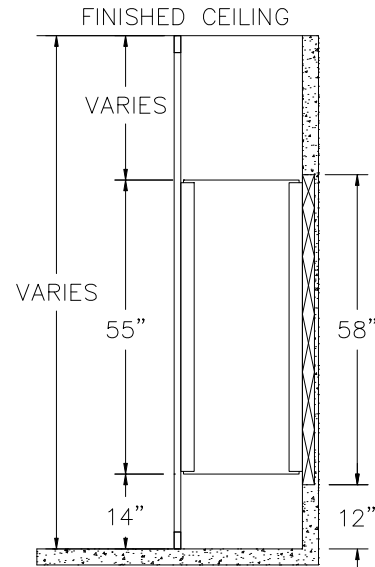
URINAL AND PRIVACY SCREENS SOLID PLASTIC



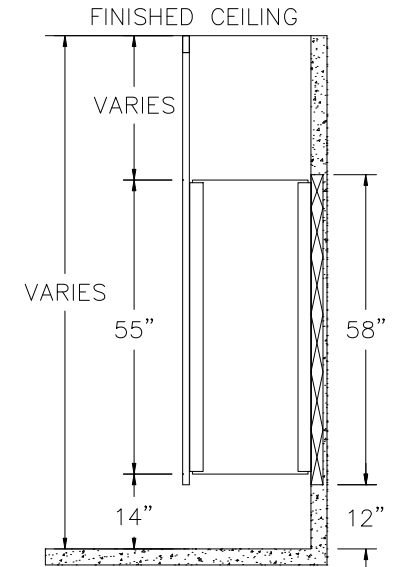
FLOOR MOUNTED



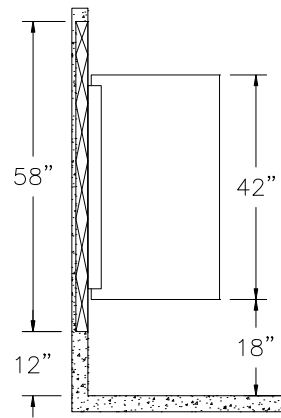
OVERHEAD BRACED



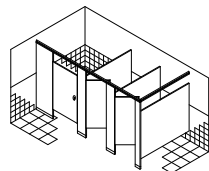
FLOOR TO CEILING



CEILING HUNG



WALL HUNG



ACCURATE PARTITIONS
P.O. BOX 287 LYONS, IL 60534