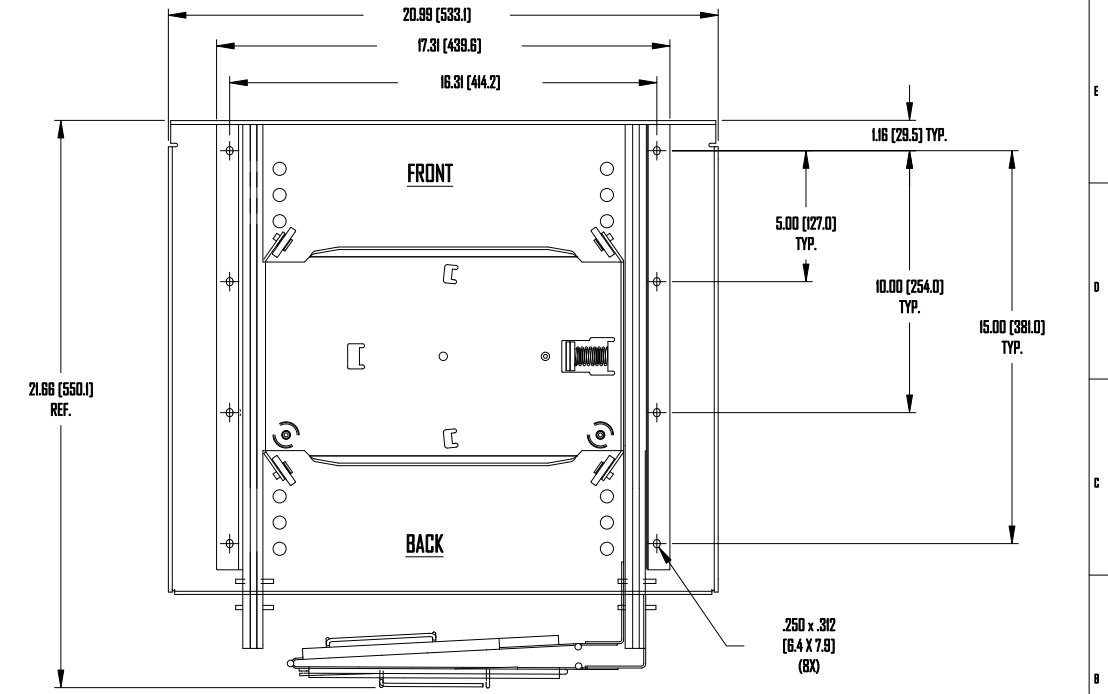
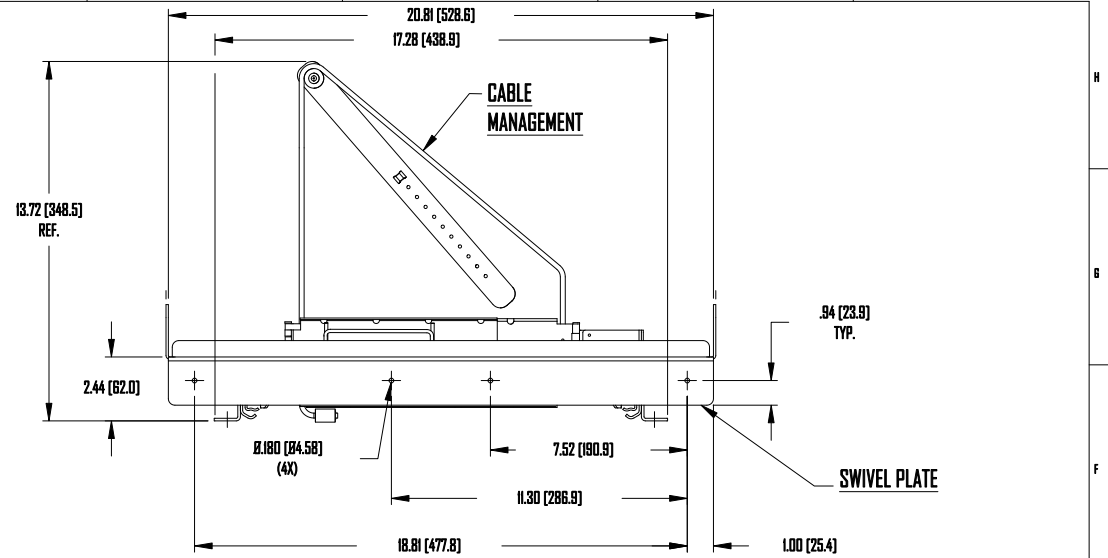


**BOTTOM SWIVEL ASSEMBLY, CBMAC-050 WITH ASSEMBLED CABLE CARRIER, CCH-510 ARE SHOWN.**



- NOTES:** UNLESS OTHERWISE SPECIFIED
1. FINISH: BLACK POWDER COATED (ON ALL BRACKETS EXCEPT BOTTOM CARRIER BRACKET)  
BLACK ZINC CHROMATE PLATING (SLIDE ASSEMBLIES & BOTTOM CARRIER BRACKET)
  2. SLIDE TRAVEL: 20.0±.13
  3. BALL BEARINGS: CARBURIZED STEEL
  4. MATERIAL: SLIDE MEMBERS AND COMPONENT PARTS:  
WORK-HARDENED, COLD-ROLLED STEEL
  5. SLIDE DETENT IN CLOSED & OPEN POSITIONS.
  6. BOTTOM SWIVEL ASSEMBLY HAS DETENT IN 0°, 90° LEFT  
& 90° RIGHT ROTATIONAL POSITIONS.
  8. CBMAC-050, BOTTOM SWIVEL ASSEMBLY ALSO INCLUDES:  
CCH-510, CABLE CARRIER ASSEMBLY (BLACK ZINC) 1 EA.  
2999-9808-YE, POWER SUPPLY STRIP 1 EA.  
4180-0545-XE, CABLE CARRIER HARDWARE KIT 1 EA.  
4180-0546-XE, BOTTOM SWIVEL HARDWARE KIT 1 EA.  
4180-0461-XE, CABLE TIE HARDWARE KIT 1 EA.
  9. 4180-0545-XE, CABLE CARRIER HARDWARE KIT INCLUDES THE  
FOLLOWING IN A POLYBAG:  
5890-D159-BE, WIRE GUIDE (BLACK) 2 EA.  
2420-3471-CE, #8-32 WING NUT 4 EA.  
2400-4287-BE, #8 X 5/8L PHIL. PAN HD. BLACK SCREWS 4 EA.
  10. 4180-0546-XE, BOTTOM SWIVEL HARDWARE KIT INCLUDES THE  
FOLLOWING IN A POLYBAG:  
2400-3173-BE, #14 X 3/4L SLOTTED HEX WASHER SCREW 8 EA.  
2400-4287-BE, #8 X 5/8L PHIL. PAN HD. BLACK SCREWS 8 EA.  
2999-9808-YE, MAX. LOAD STICKER 1 EA.
  11. 4180-0461-XE, CABLE TIE HARDWARE KIT INCLUDES IN A POLYBAG:  
2799-0129-YE, RELEASABLE BLACK CABLE TIES 6 EA.

<i>Accuride</i>			
CUSTOMER: <b>Accuride</b>		REV.	
P/N:	DATE:	CONTROLLING DOCUMENT	
SCALE: N.T.S.	DATE: 07-18-05	[X] ACCURIDE	
DRAWN: D.CHAVEZ	DATE: 07-18-05	TELEMARKETER: [ ] DRAWING NUMBER: [ ] REV. # 0.0.0.0 MGR. # 000.0.0	
APPROVED:		MGR. # P	
<i>Accuride</i>			REV. *
<b>BOTTOM SWIVEL ASSEMBLY</b>			
PART NUMBER <b>CBMAC-050</b>			

REV	IS	DESCRIPTION	WAS	DATE	APPD
REVISIONS					

THIS DOCUMENT IS FURNISHED FOR THE EXPRESS AND EXCLUSIVE PURPOSE OF CONVEYING INFORMATION TO CUSTOMERS AND SUPPLIERS OF ACCURIDE INTERNATIONAL, INC. AND IS NOT TO BE DISCLOSED TO COMPETITIVE SOURCES.