

- NOTE:
- FINISH: BLACK POWDER COATED ON ALL STEEL PARTS
ANNOXIZED BLACK ON ALUMINUM TUBING & ALUMINUM DECKS
MATTE BLACK PAINT ON BIRCH PLYWOOD
 - MATERIAL: SLIDE MEMBERS AND COMPONENT PARTS:
WORK-HARDENED, COLD-ROLLED STEEL
 - SLIDE TRAVEL: 34.00 ± 0.125 (863.6 ± 3.2)
 - LOAD RATING: 120 lbs

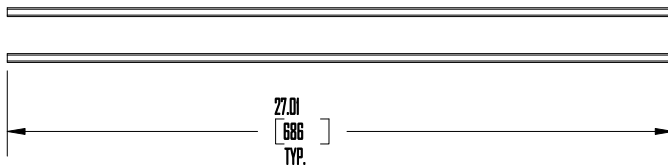
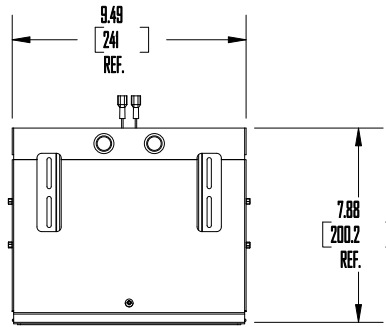
5. SEE USER GUIDE FOR ADJUSTING WIDTH OF REVERSAL PLATES.

6. SEE USER'S GUIDE FOR ADJUSTING SKID GUARD HEIGHT.

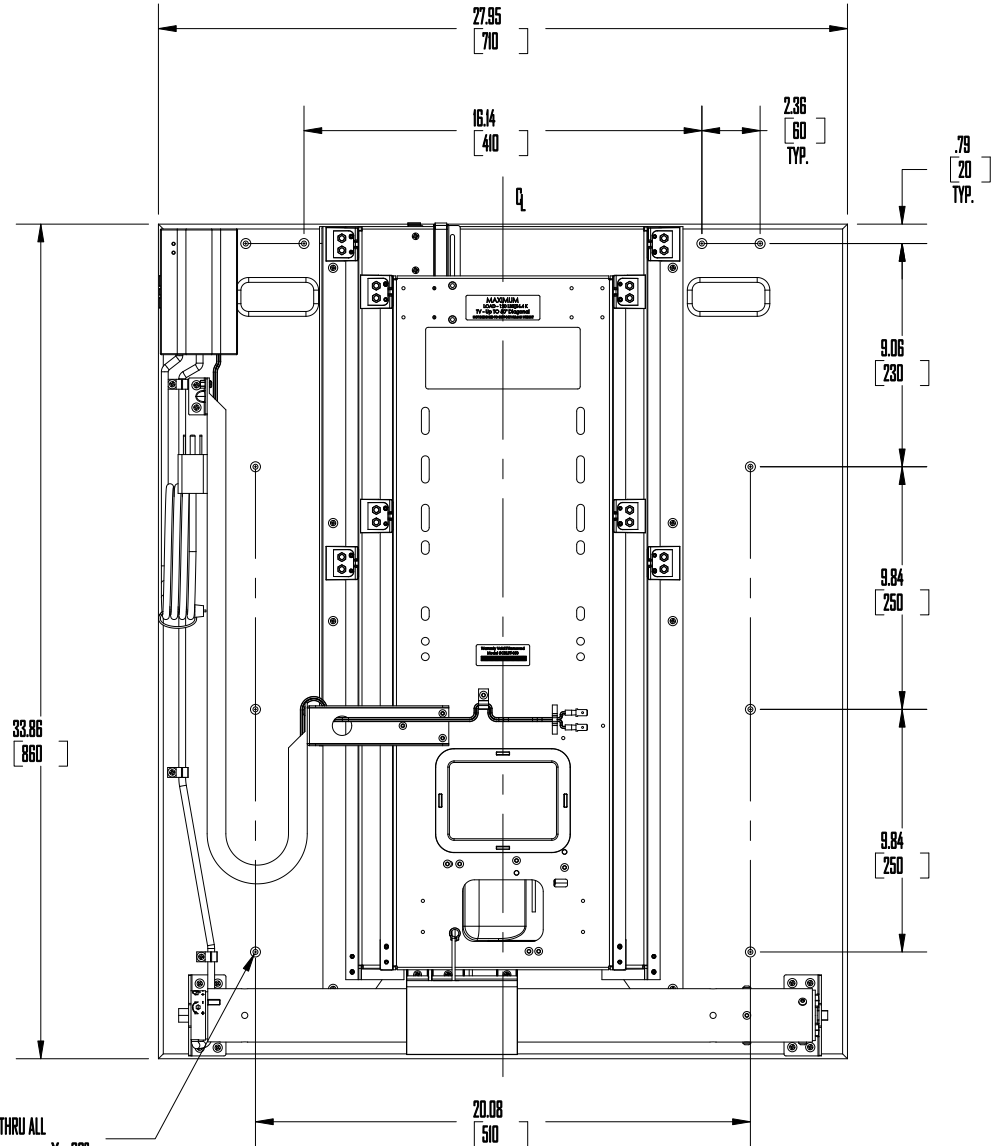
7. HOLE AND SLOT PATTERN FITS COMMON UNIVERSAL T.V. MOUNTS FOR 42"-50" PLASMA T.V.

8. CBLIFT-050 INCLUDES:

- 4180-0614-YE HARDWARE KIT IN RESEALABLE POLY BAG, 1 EA.
- 2930-0649-YE REMOTE CONTROL W/ CRADLE, 1 EA.
- 3700-1658-YE CBLIFT-050 DATA SHEET, 1 EA.
- 3700-1658-YE CBLIFT-050 USER GUIDE, 1 EA.
- 4180-0625-YE SCREW KIT IN POLY BAG, 1 EA.
- 2400-6073-BE #5 X 3/24 FLAT HD. PHIL. WOOD SCREW, BLACK, 10 EA.
- 2420-4292-BE #4 X 1/2 PAN HD. PHIL. MACH. SCREW, BLACK, 4 EA.
- 4180-0616-YE TV MOUNT HARDWARE KIT IN POLY BAG, 1 EA.
- 2400-6073-BE #6 X 1/2 PAN HEAD PHIL. SCREW, 4 EA.
- 2420-4292-BE #6 NYLON INSERT HEX NUT, 4 EA.
- 2460-8795-BE #6 X 1.5 MM THICK X 16MM OD STEEL WASHER, 8 EA.



B 20(5.1) THRU ALL X 82°
B 41(10.3)



SHEET 1 OF 3

SYM.	IS	DESCRIPTION	WAS	DATE	APPO.
REVISIONS					

THIS <i>Accuride</i> PRODUCT COVERED BY U.S. PATENTS #623,062; #677,618 AND OTHER U.S. PATENTS PENDING.					
CUSTOMER:		Accuride		REV.	
SCALE:		N.T.S.		DATE:	
DRAWN:		D.D.C.		DATE:	
APPROVED:		05-11-07		REV.	
CONTROLING DOCUMENT		<input checked="" type="checkbox"/> ACCURIDE <input type="checkbox"/> CUSTOMER			
TELEMARKETS NOT SHOWN		size ± .0005 size ± .0010 Toler. ± .0010 Angle ± .1°			
QUICK LIFT				PART NUMBER	
CBLIFT-050				REV.	
THIS DOCUMENT IS PROVIDED FOR THE EXPRESS AND EXCLUSIVE PURPOSE OF CONVEYING INFORMATION TO CUSTOMERS AND SUPPLIERS OF ACCURIDE INDUSTRIAL, INC. AND IS NOT TO BE REPRODUCED TO ANY OTHER SOURCE.					