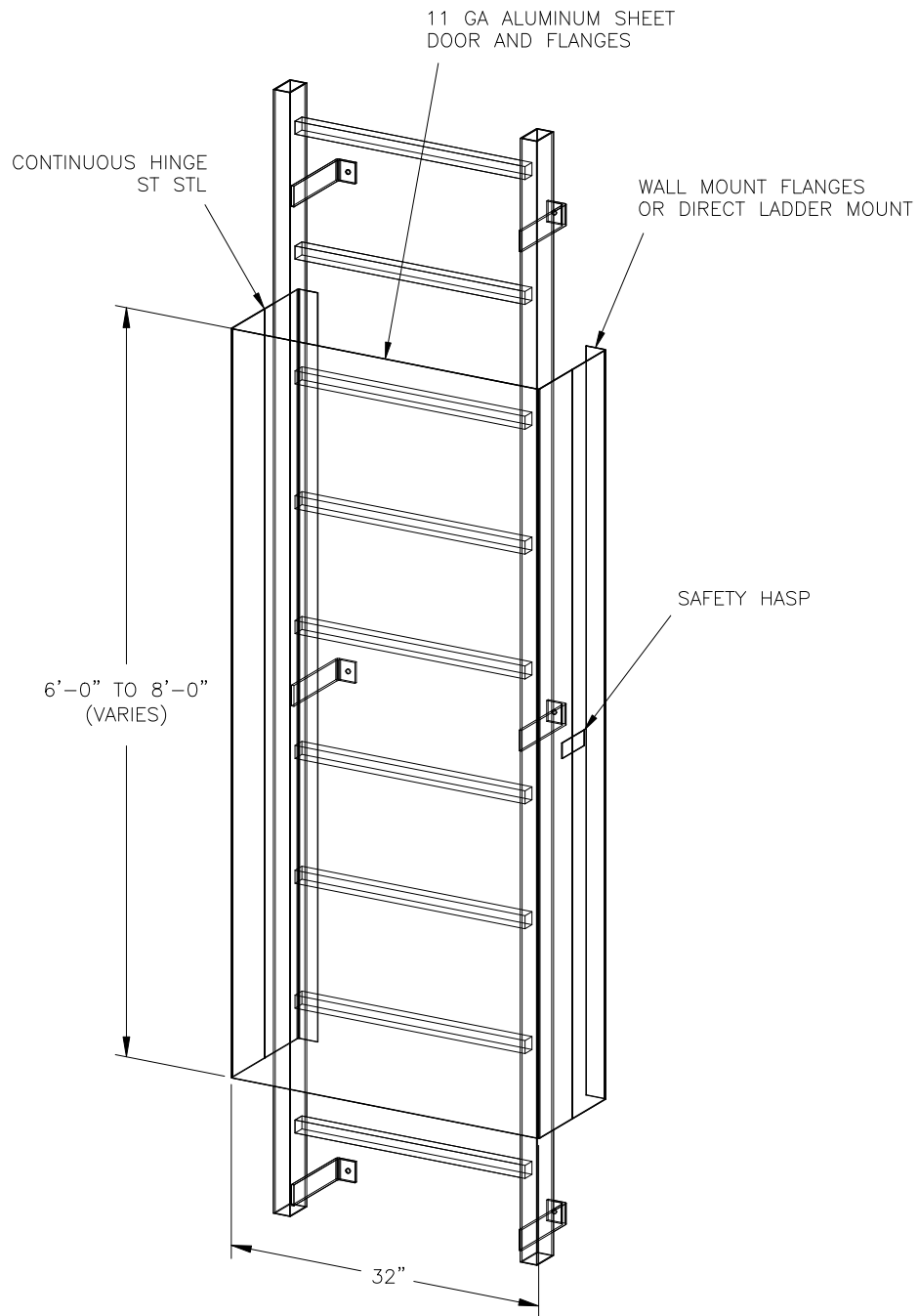


REVISIONS			
REV	DESCRIPTION	DRAFTED	APPROVED



NOTICE - THIS DRAWING AND ALL OF THE INFORMATION THEREON IS THE CONFIDENTIAL PROPERTY OF ACL INDUSTRIES, INC. IT HAS BEEN PROVIDED TO YOU FOR A LIMITED PURPOSE IS NOT TO BE USED, REPRODUCED, OR DISCLOSED TO OTHERS FOR ANY OTHER PURPOSE.

UNLESS OTHERWISE SPECIFIED DIMENSIONS ARE IN INCHES TOLERANCES ARE

FRACTIONS	DECIMALS	ANGLES
±1/16	.X ±.03 .XX ±.015 .XXX ±.010	±1°

ACL 52 MAPLE ST.
MANCHESTER, NH 03103-5616
INDUSTRIES, INC. TEL: 1-603-668-1276
FAX: 1-603-668-1281

TITLE ACL-SDA for 24" VERTICAL LADDER

MATERIAL
SEE DETAIL

APPROVALS		DATE
DRAFTED	SOG	01/23/01
CHECKED		
APPROVED		

SIZE	PART/PROJ. No.	DWG. NO.	REV.
A			
SCALE	NTS	QTY REQ'D N/A	SHEET