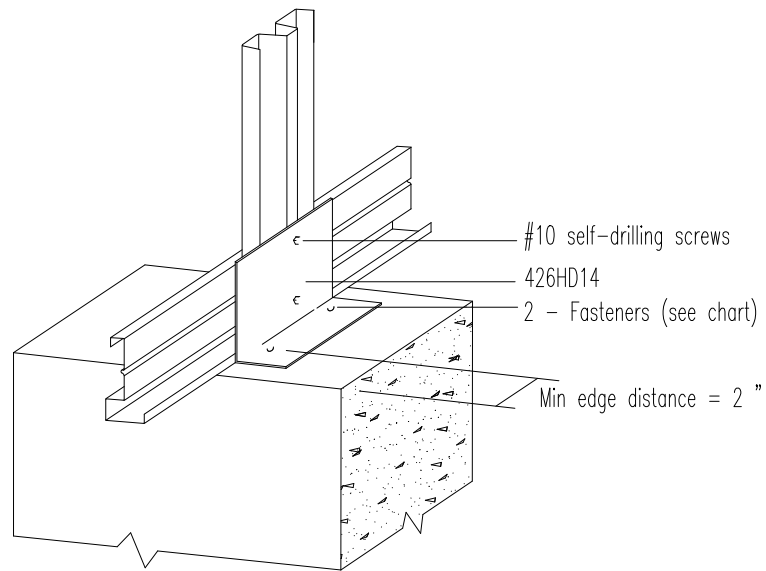
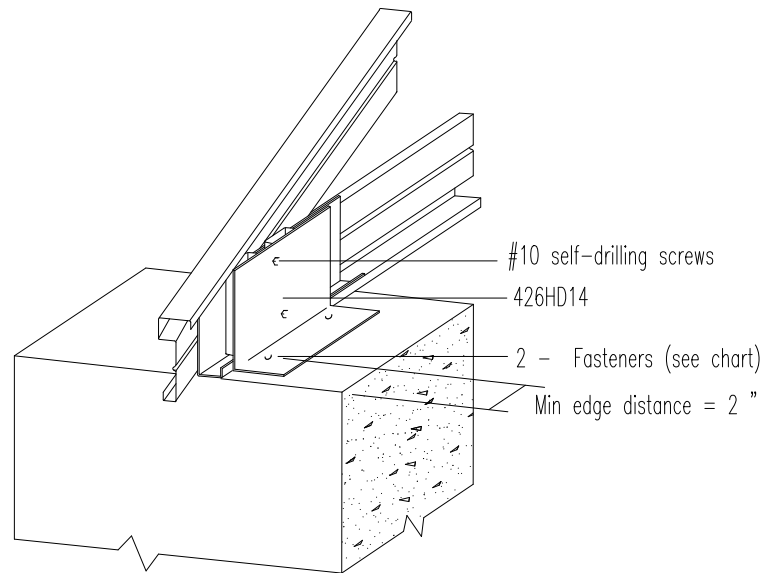


426HD14



MAXIMUM UPLIFT				
Fastener	Conc. PSI	#10 sds	Embed (in)	Uplift (lbs)
Hilti X-DNI	2000	2	1.25	333
		2	1.5	440
	3000	2	1.25	410
		2	1.5	505
Hilti X-ZF	2000	2	1.25	333
	3000	2	1.25	400
Hilti Kwik-Con II 3/16" dia	2000	3	1.75	770
	4000	2	1.0	333
		3	1.75	784
Hilti Kwik-Con II 1/4" dia	2000	4	1.75	1130
	4000	2	1.0	630
		6	1.75	1660



- 1) Reference manufacturer's catalog for proper installation of fasteners
- 2) Web or heel stiffener must be attached to chord with number of 4-#10 sds except for 1/4" Kwik-Con II in 4000 psi concrete, 1.75" embedment use 6 - #10 sds
- 3) Uplift values include 1.33 increase for wind or seismic. No further increase is permitted. For uplifts not resulting from wind or seismic, reduce capacities to 75% of values shown.
- 4) Install fasteners through holes provided in 426HD14
- 5) Minimum spacing of fasteners = 3"
- 6) Minimum spacing of #10 screws = 9/16"
- 7) Maximum horizontal reaction = 188 lbs