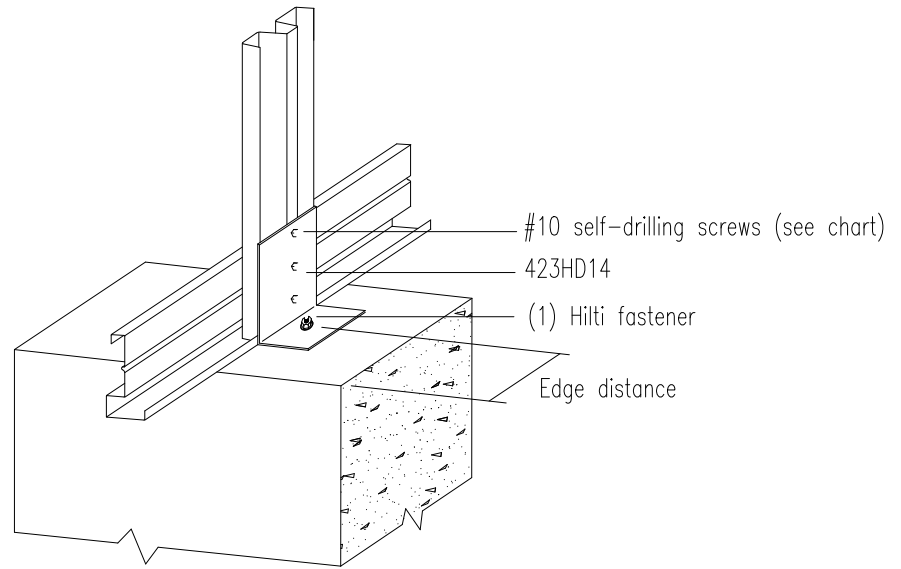
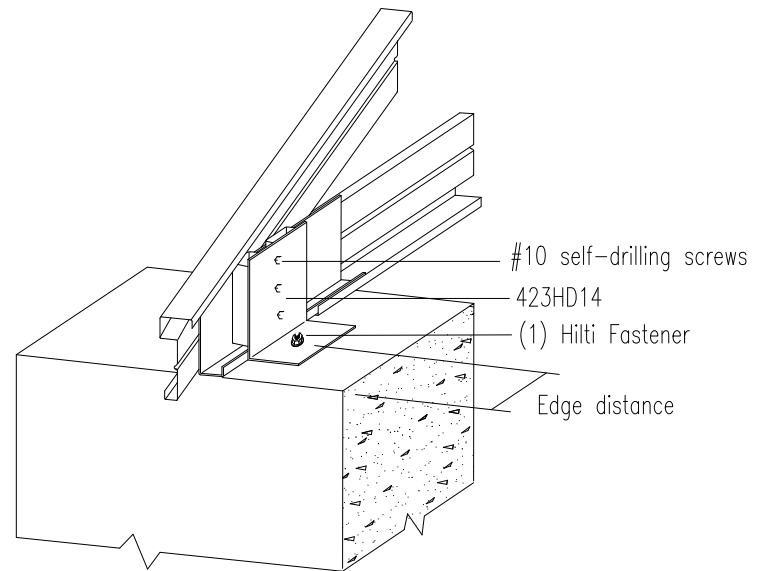


423HD14



MAXIMUM UPLIFT					
Fastener	Conc. PSI	#10 sds	Embed (in)	Uplift (lbs)	Edge dist.
Hilti Kwik-Bolt II 1/4" diam	2000	2	1.125	270	1.75
		2	2.00	560	3.00
	3000	2	1.125	330	1.75
		2	2.00	590	3.00
Hilti Kwik-Bolt II 3/8" dia	2000	2	1.625	530	2.50
		4	2.5	1200	3.75
	3000	3	1.625	650	2.50
		4	2.5	1200	3.75
	4000	3	1.625	750	2.50
	Hilti Kwik-Bolt II 1/2" dia	2000	4	2.25	1170
3000		4	2.25	1200	3.375
4000		4	2.25	1200	3.375



- 1) Reference manufacturer's catalog for proper installation of fasteners
- 2) Web or heel stiffener must be attached to chord with number of 4-#10 sds
- 3) Uplift values may NOT be increased 1.33 for wind or seismic.
- 4) Install fastener in line with holes provided in 426HD14
- 5) Minimum spacing of #10 screws = 9/16"
- 6) Maximum horizontal reaction = 188 lbs
- 7) Equivalent fasteners may be substituted for those indicated.
- 8) Consult fastener catalog for capacity reduction when edge dist. can not be provided.
- 9) Kwik Bolt II - Carbon Steel Stud

Revised 12/2000