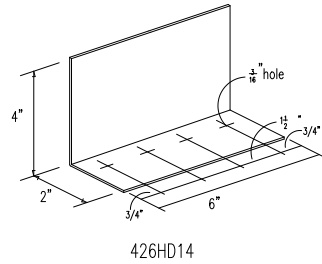
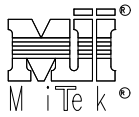


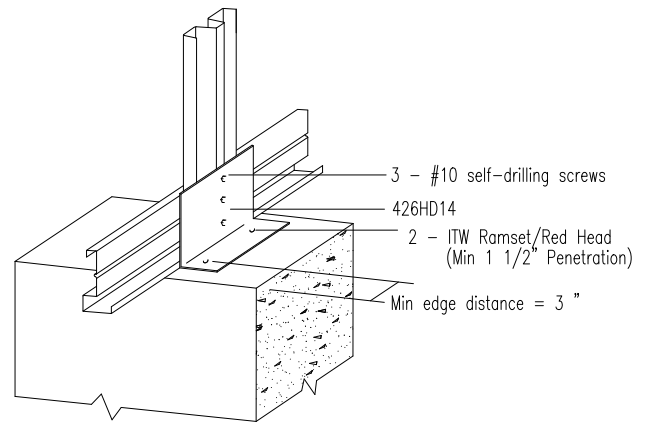
RAM2CON-6

ULTRA-SPAN TRUSS UPLIFT CONNECTION TO CONCRETE  
426HD14

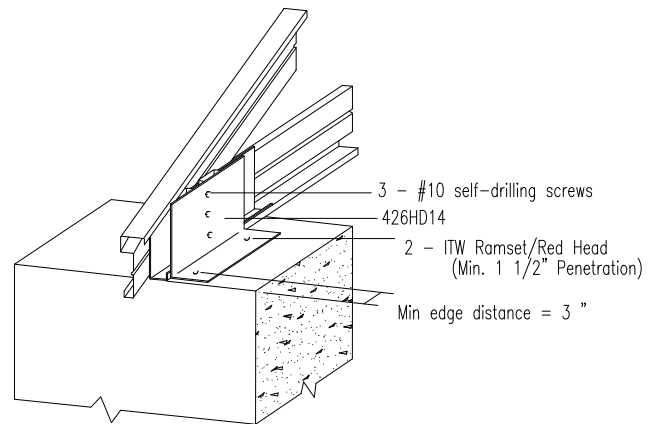


426HD14

MAXIMUM UPLIFT = 600 lbs



ITW Ramset/Red Head Low Velocity Fasteners Maximum Uplift Capacity (lbs)		
Concrete psi	1500 Series	9100 Series
2000	498	800
3000	600	825
4000	710	850



- 1) Reference manufacturer's catalog for proper installation of fasteners
- 2) Web or heel stiffener must be attached to chord with 4 - #10 sds
- 3) Uplift values include 1.33 increase for wind or seismic. No further increase is permitted. For uplifts not resulting from wind or seismic, reduce capacities to 75% of values shown.
- 4) Install fasteners through holes provided in 426HD14.
- 5) Minimum spacing of fasteners = 3".
- 6) Minimum spacing of #10 screws = 9/16".
- 7) Maximum horizontal reaction = 188 lbs.
- 8) When truss is 2-ply, connection applied to each ply. (Capacities Doubled)

TARGET SCALE: 1 1/2" = 1'-0"

Arcat file no.: 05401026

(Mfr file no.: RAM2CON-6)