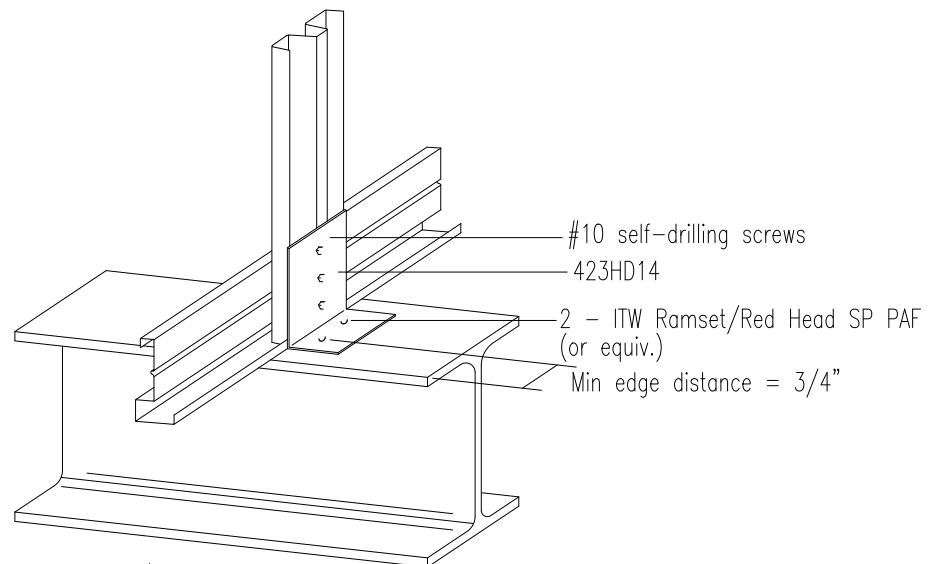


MAXIMUM UPLIFT CAPACITY (LBS)			
Web Gage	#10 sds	1/4" Steel	3/8" Steel
035	3	587	785
046	2	587	785
057	2	587	785



- 1) Web or heel stiffener attached with 4 - #10 sds.
- 2) Minimum screw spacing = 9/16"
- 3) Uplift values include 1.33 increase for wind or seismic. No further increase is permitted. For uplifts not resulting from wind or seismic, reduce capacities to 75% of values shown.
- 4) See Fastener Manufacturer's catalog for installation requirements and application limits.
- 5) PAF fasteners to be placed thru pre-drilled holes.
- 6) Maximum horizontal reaction = 188 lbs. Maximum horizontal may be increased to 450 lbs by installing 1 - ITW Ramset/Red Head SP PAF thru bottom flange into steel.
- 7) When truss is 2-ply, connection applied to each ply. (Capacities doubled)