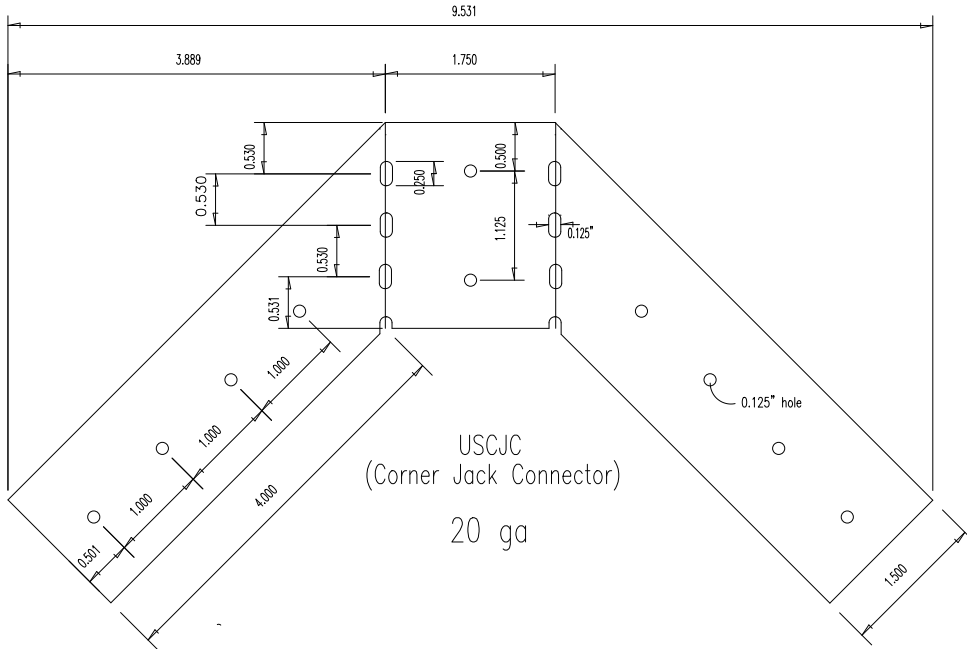
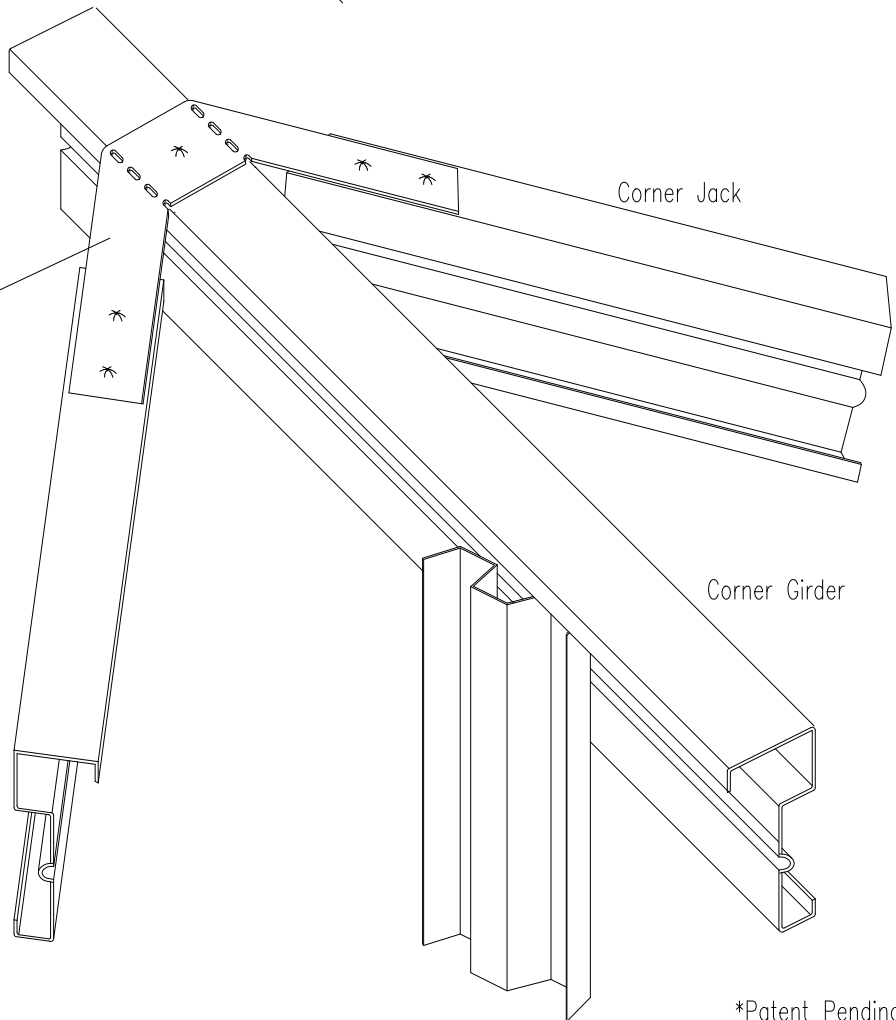


Use USCJC to attach top chord of
Corner Jack to top chord of Corner Girder



Attach USCJC to top chord
of Corner Girder with 1 - #8
or #10 low profile SDS.
Bend to the required angle
and attach to each Corner Jack
with 2 - #8 or #10 low profile SDS



*Patent Pending