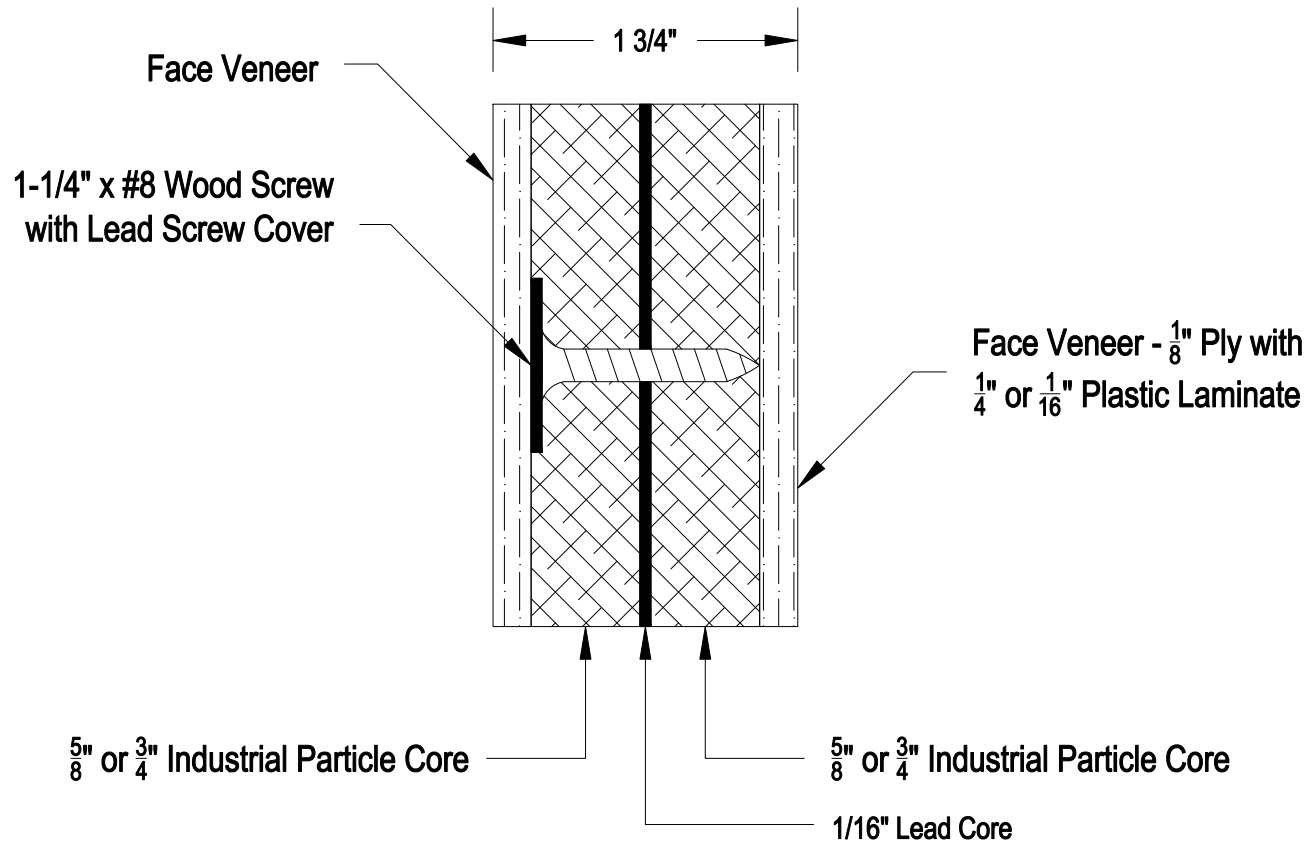


**Typical Wood Door / Lead Thickness 1/4" or Less.
 1.587mm (" 1/16") Lead Shown - 1-3/4" Thick Door (Max)
 1-11/16" (Min) Thickness**



a-fabco WOOD / LEAD DOOR CONSTRUCTION

Lead, full width and height of door contact glued between 2 industrial particle cores or AC Exterior Fir Plywood with 2" matching hardwood rails and stiles. Lead plugs cover bolts. Birch veneer is contact cemented to completed core on both sides on a standard door. Other veneers and laminates are available. Lead is visible in door edges when real wood faces are used.

a-fabco, inc. * 800-330-5323
Gibsonton, FL 33534
DRAWN BY: Allen Lynch
CLIENT : ARCAT AutoCAD Downloads
PROJ: X-ray & Radiation Protection - Sec. 13090
SUBJ: Doors to 6.35mm Lead Thickness * Wood
DATE : December 11, 2008