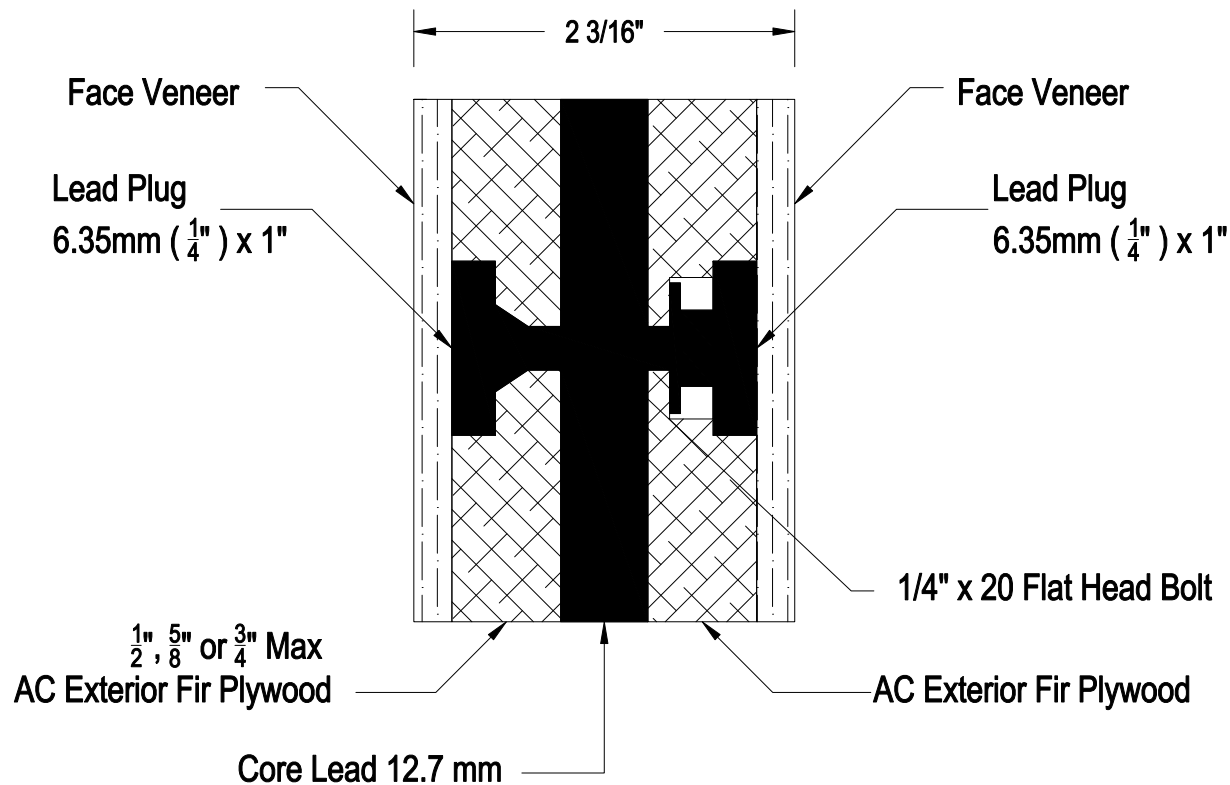


**Typical Wood Door / Lead Thickness Greater than  $\frac{1}{4}$ " (6.35mm).  
12.7mm ( $\frac{1}{2}$ " ) Lead Shown - 2-1/4" Thick Door (2" Min, 2-3/8" Max)**



**a-fabco WOOD / THICK LEAD DOOR CONSTRUCTION**

Lead, full width and height of door contact glued between 2 slabs of AC Exterior Fir Plywood with 2" matching hardwood rails and stiles. Lead plugs cover bolts. Birch veneer is contact cemented to completed core on both sides on a standard door. Other veneers and laminates are available.  
Lead is visible in door edges when real wood faces are used.

**a-fabco, inc. \* 800-330-5323**

**Gibsonton, FL 33534**

**DRAWN BY:** Allen Lynch

**CLIENT :** ARCAT AutoCAD Downloads

**PROJ:** X-ray & Radiation Protection - Sec. 13090

**SUBJ:** Wood Doors with Over 6.35mm Lead

**DATE :** December 11, 2008