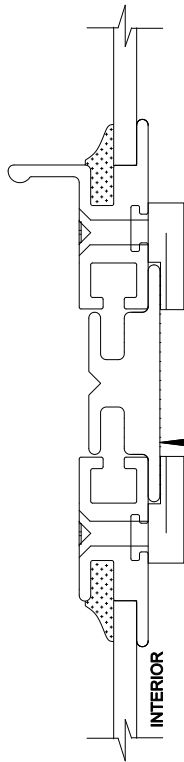


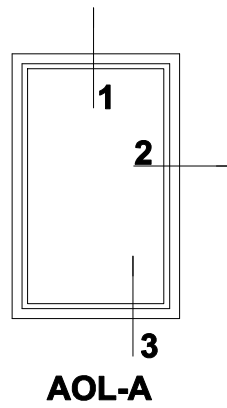
AOL FRAMING  
(D-42 NESTED IN D-42)

**1 HEAD DETAIL**  
SCALE: FULL

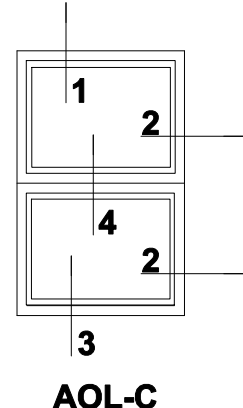


AOL FRAMING  
(T-9)

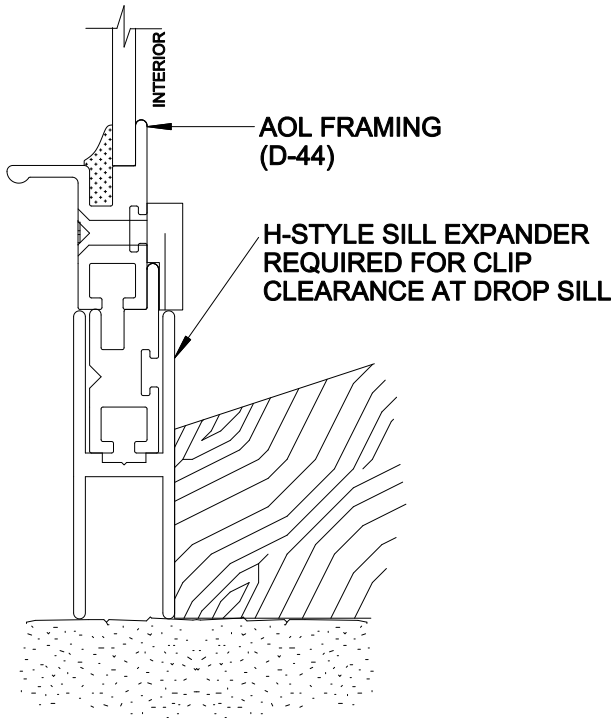
**4 MUNTIN DETAIL**  
SCALE: FULL



AOL-A



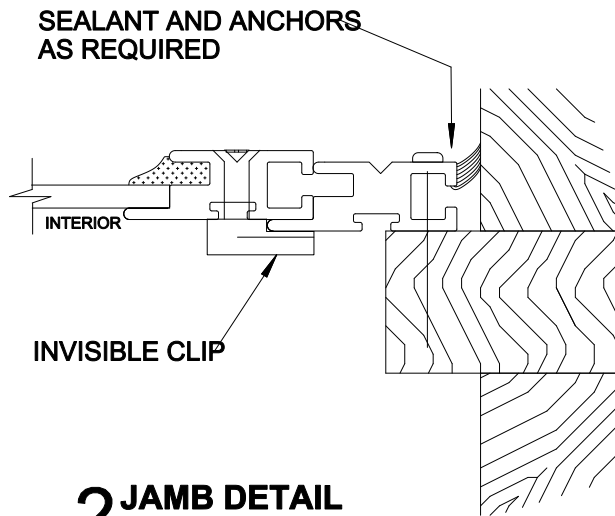
AOL-C



AOL FRAMING  
(D-44)

H-STYLE SILL EXPANDER  
REQUIRED FOR CLIP  
CLEARANCE AT DROP SILL

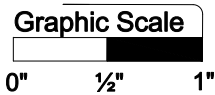
**3 SILL DETAIL**  
SCALE: FULL



SEALANT AND ANCHORS  
AS REQUIRED

INVISIBLE CLIP

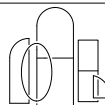
**2 JAMB DETAIL**  
SCALE: FULL



NOTE: INTERCHANGEABLE SCREEN AVAILABLE

PRODUCT  
ALLIED ONE LITE • AOL-A and AOL-C  
REMOVABLE PANELS with INVISIBLE CLIPS

DWG. NO.  
**A-3**



**Allied Window**  
Performance Panels™

11111 CANAL ROAD • CINCINNATI, OH 45241 • PH: 800-445-5411, 513-559-1212 • FAX: 513-559-1883 • www.alliedwindow.com • info@alliedwindow.com

050703 Master Copy