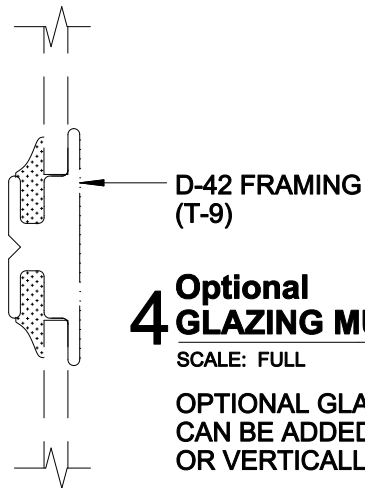
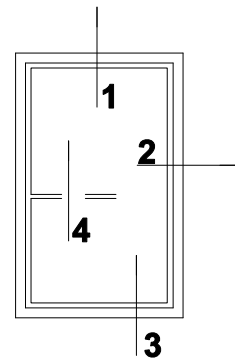
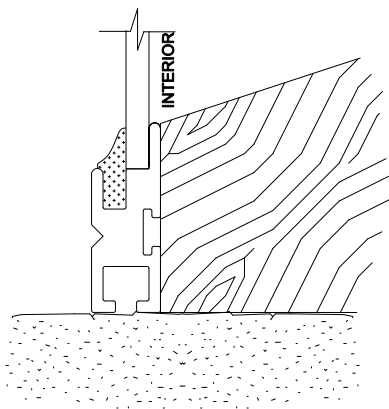


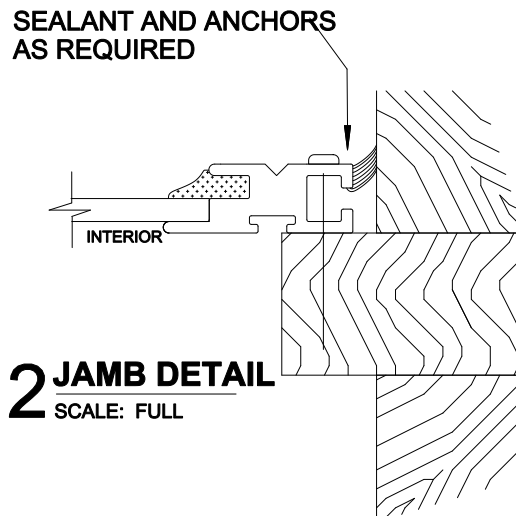
1 HEAD DETAIL
SCALE: FULL



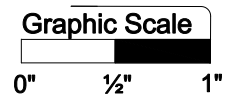
4 Optional GLAZING MUNTIN DETAIL
SCALE: FULL
OPTIONAL GLAZING MUNTINS CAN BE ADDED HORIZONTALLY OR VERTICALLY



3 SILL DETAIL
SCALE: FULL



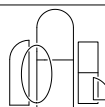
2 JAMB DETAIL
SCALE: FULL



PRODUCT
D 42 PANEL

DWG. NO.

D42-1



Allied Window Performance Panels™

11111 CANAL ROAD • CINCINNATI, OH 45241 • PH: 800-445-5411, 513-559-1212 • FAX: 513-559-1883 • www.alliedwindow.com • info@alliedwindow.com

050703 Master Copy