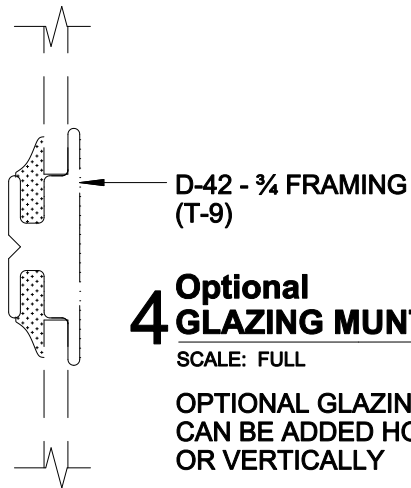
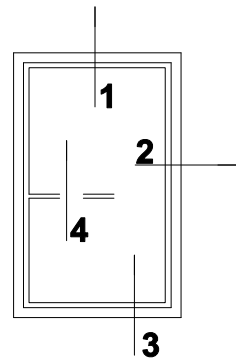
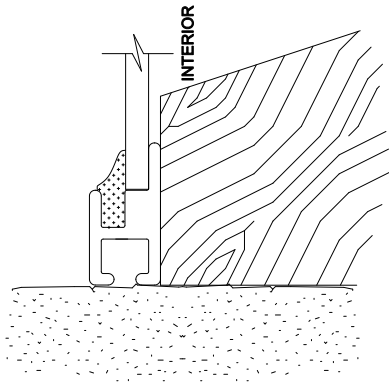


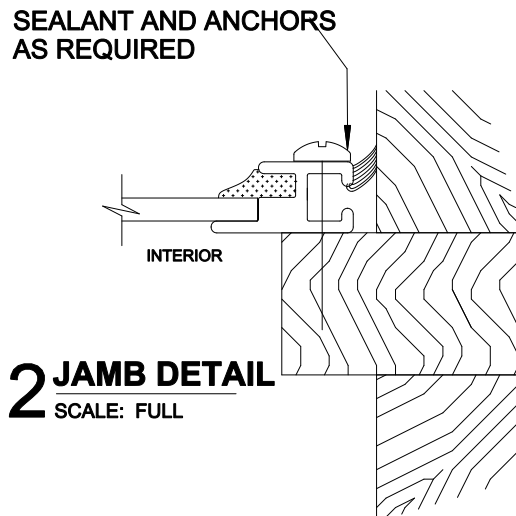
1 HEAD DETAIL
SCALE: FULL



4 Optional GLAZING MUNTIN DETAIL
SCALE: FULL
OPTIONAL GLAZING MUNTINS CAN BE ADDED HORIZONTALLY OR VERTICALLY



3 SILL DETAIL
SCALE: FULL

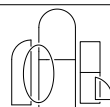


2 JAMB DETAIL
SCALE: FULL



PRODUCT
D 47 - 3/4" PROFILE PANEL

DWG. NO.
D47-1



Allied Window
Performance Panels™

11111 CANAL ROAD • CINCINNATI, OH 45241 • PH: 800-445-5411, 513-559-1212 • FAX: 513-559-1883 • www.alliedwindow.com • info@alliedwindow.com

050804 Master Copy