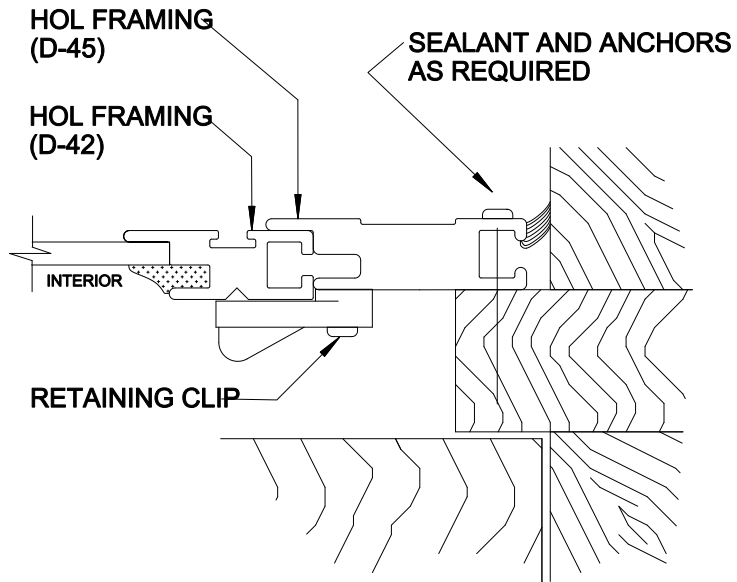
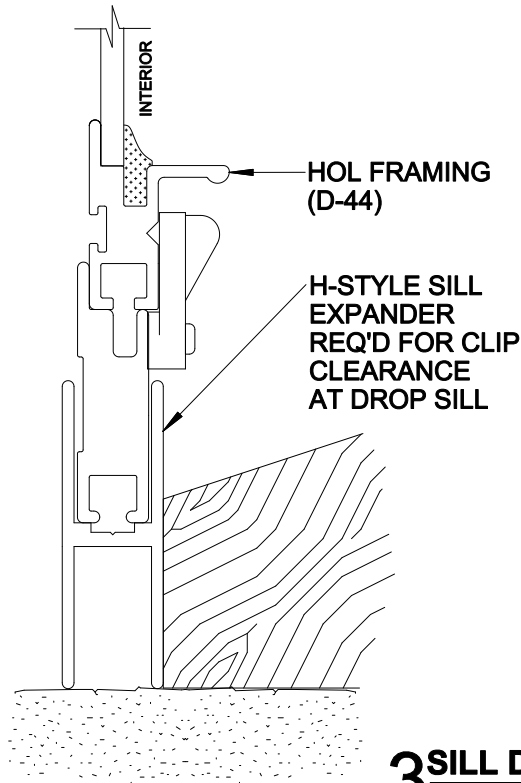
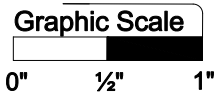


1 HEAD DETAIL
SCALE: FULL



2a JAMB DETAIL
SCALE: FULL

3 SILL DETAIL
SCALE: FULL

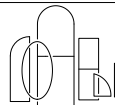


NOTE: INTERCHANGEABLE SCREEN AVAILABLE

PRODUCT
HISTORIC ONE LITE • HOL-A
SINGLE REMOVABLE PANEL

DWG. NO.

H-2



Allied Window
Performance Panels™

11111 CANAL ROAD • CINCINNATI, OH 45241 • PH: 800-445-5411, 513-559-1212 • FAX: 513-559-1883 • www.alliedwindow.com • info@alliedwindow.com