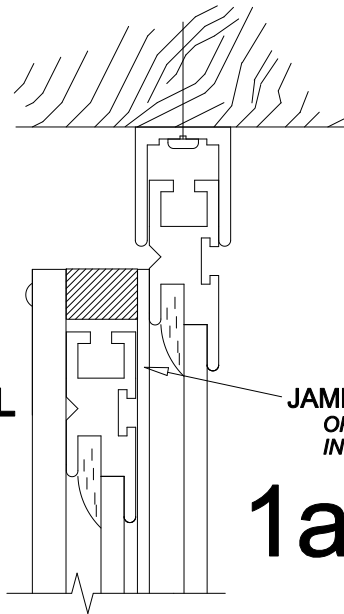
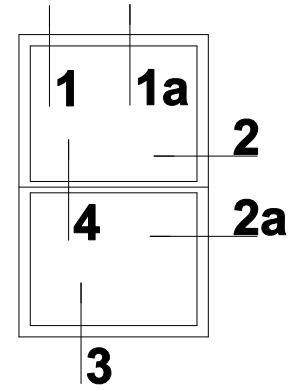


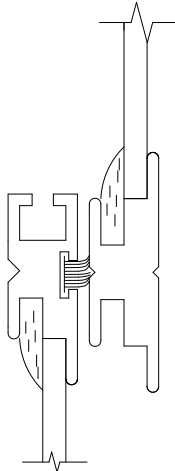
1 HEAD DETAIL
SCALE: FULL



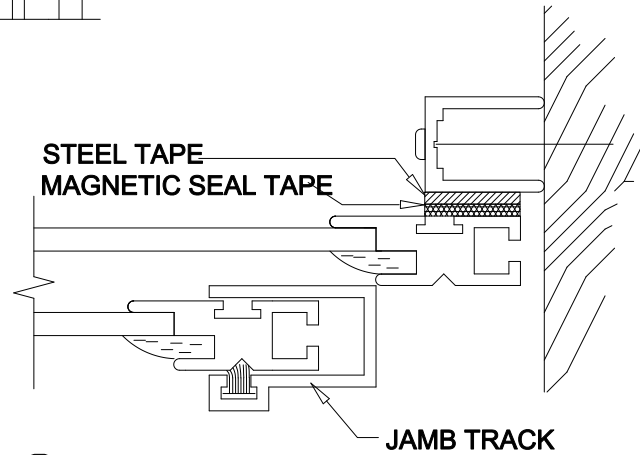
1a HEAD DETAIL
SCALE: FULL



JAMB TRACK
OPERATING SASH SHOWN
IN FULLY OPEN POSITION

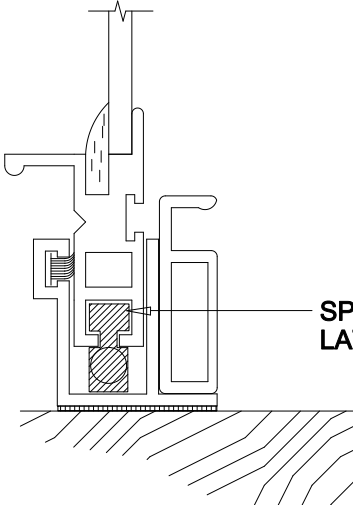


4 MEETING RAIL DETAIL
SCALE: FULL



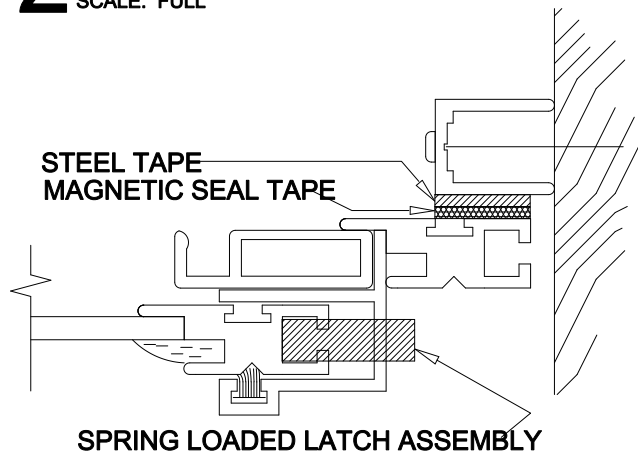
2 JAMB DETAIL
SCALE: FULL

OPERATING SASH
SHOWN IN FULLY
CLOSED POSITION



3 SILL DETAIL
SCALE: FULL

SPRING LOADED
LATCH ASSEMBLY



2a JAMB DETAIL
SCALE: FULL

SPRING LOADED LATCH ASSEMBLY



PRODUCT
MAGNETIC ONE LITE, OPERATING MOL-OP
(NO SCREEN)

DWG. NO.
M-4

**Allied Window
Performance Panels™**

11111 CANAL ROAD • CINCINNATI, OH 45241 • PH: 800-445-5411, 513-559-1212 • FAX: 513-559-1883 • www.alliedwindow.com • info@alliedwindow.com

050703 Master Copy