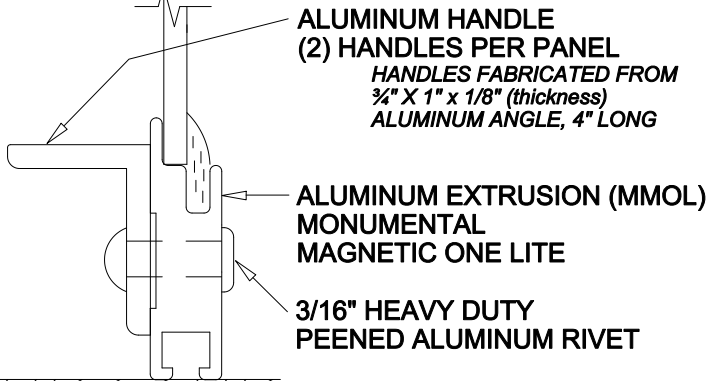


DEEP GUIDE

ALUMINUM EXTRUSION (MMOL)
MONUMENTAL
MAGNETIC ONE LITE

1 HEAD DETAIL

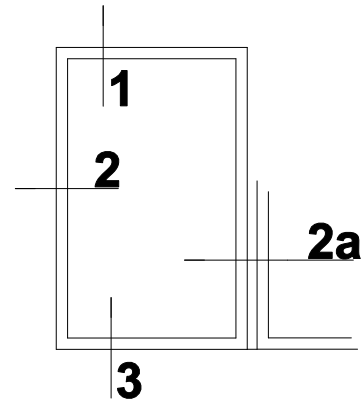
SCALE: FULL



ALUMINUM HANDLE
(2) HANDLES PER PANEL
*HANDLES FABRICATED FROM
3/4" X 1" x 1/8" (thickness)
ALUMINUM ANGLE, 4" LONG*

ALUMINUM EXTRUSION (MMOL)
MONUMENTAL
MAGNETIC ONE LITE

3/16" HEAVY DUTY
PEENED ALUMINUM RIVET



STEEL TAPE

MAGNETIC
SEAL TAPE

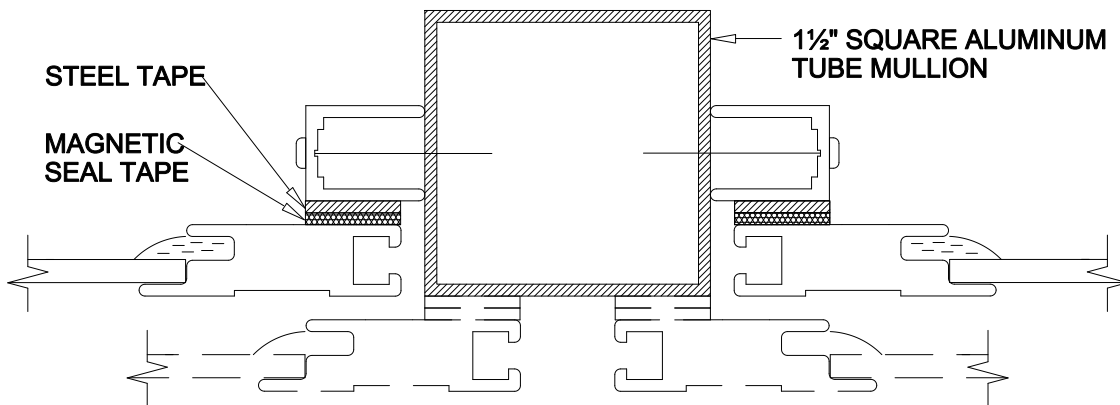
2 JAMB DETAIL

SCALE: FULL

3 SILL DETAIL

SCALE: FULL

NOTE:
PANELS CAN BE BUTTED TO THE TUBE MULLION AS SHOWN.
PANELS CAN ALSO BE OVERLAPPED (shown with dashed lines)
BY USING FACE MOUNTED STEEL TAPE.



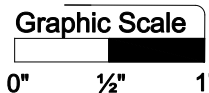
STEEL TAPE

MAGNETIC
SEAL TAPE

1 1/2" SQUARE ALUMINUM
TUBE MULLION

2a MULLION DETAIL

SCALE: FULL



PRODUCT
MAGNETIC ONE LITE
MONUMENTAL • MMOL

DWG. NO.
M-6

**Allied Window
Performance Panels™**

11111 CANAL ROAD • CINCINNATI, OH 45241 • PH: 800-445-5411, 513-559-1212 • FAX: 513-559-1883 • www.alliedwindow.com • info@alliedwindow.com

092204 Master Copy