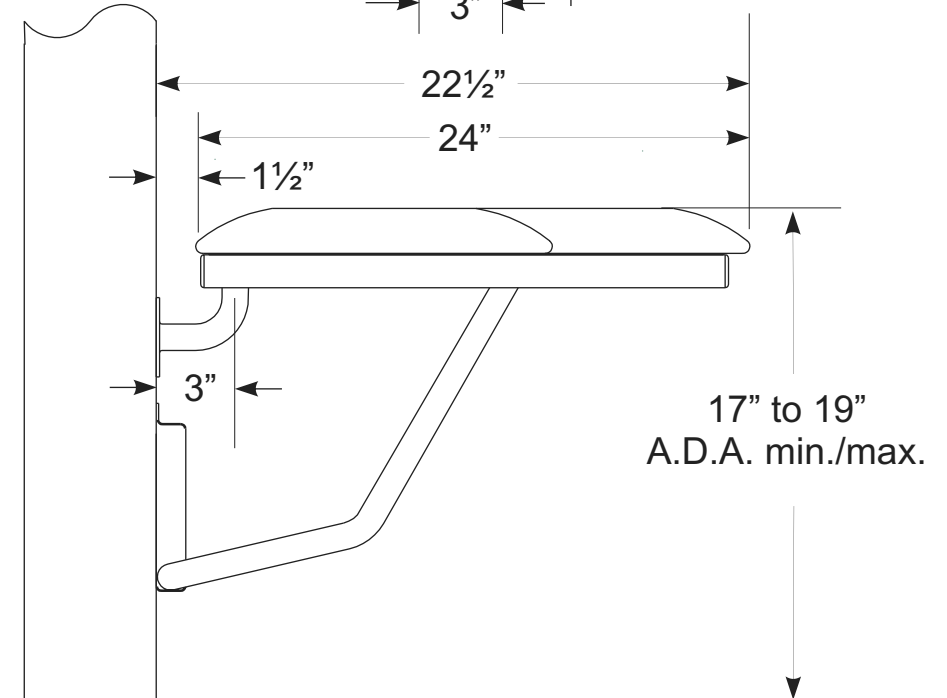
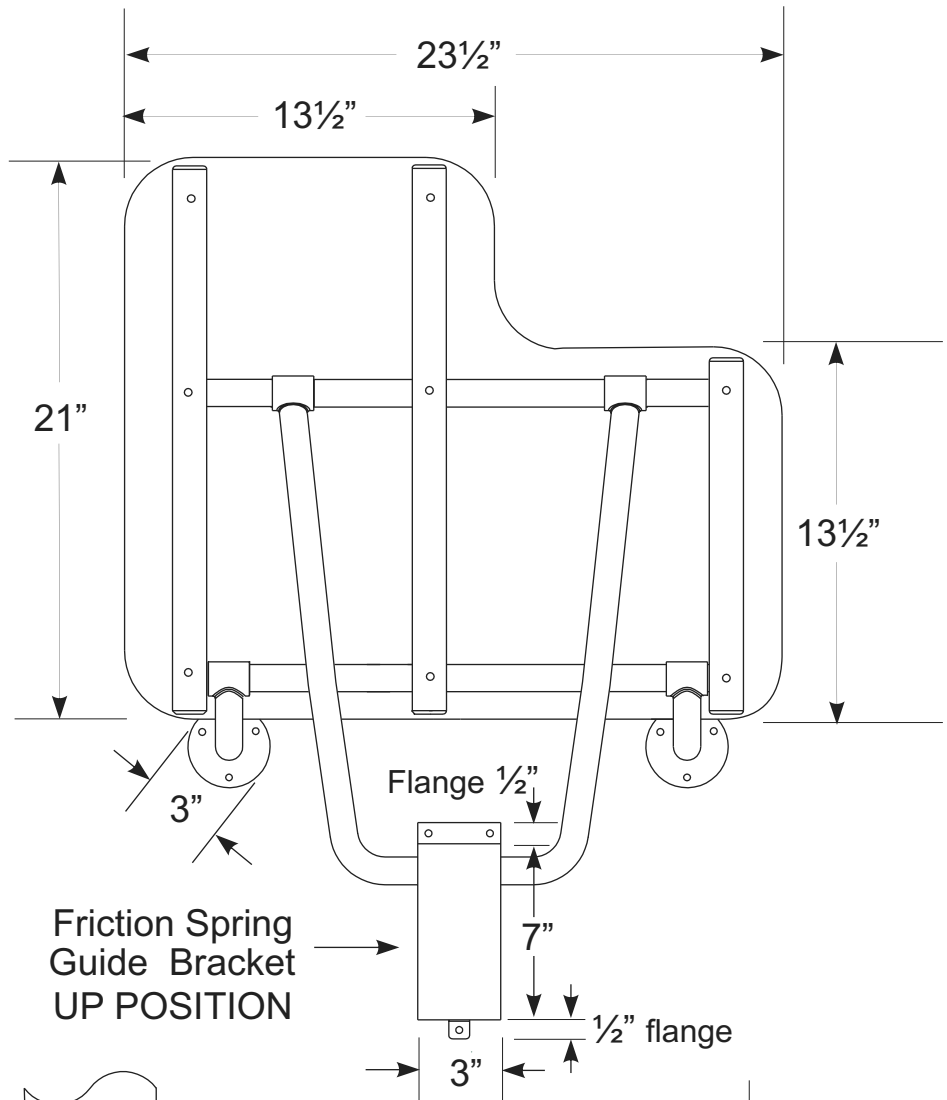
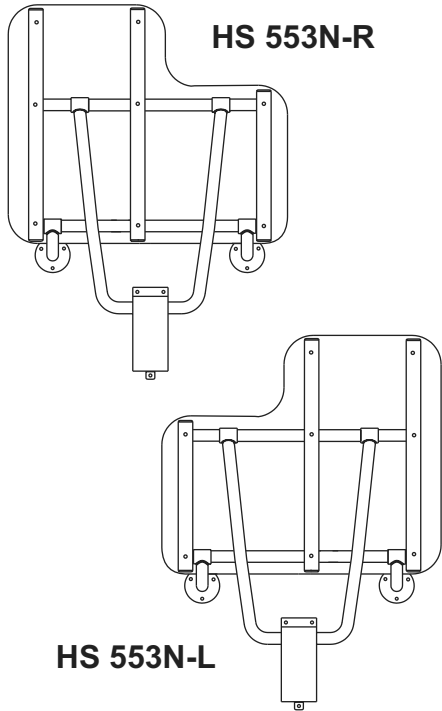


ABE, Inc. Custom L-Shaped Fold Down Seats

HS 553N-R (right) - drawn here
 HS 553N-L (left)

This seat may be ordered for right side and left side mounting applications



American Bath's fold down seats are upholstered in white Naugahyde over 2" thick foam. The "U" shaped leg passes through a wall-mounted, constant friction bracket requiring little effort to raise and lower the seat and holds the seat securely in the up position when not being used. The main frame is made from 1 1/4", 18 gauge stainless steel tubing. The "U" shaped leg yoke is 1", 18 gauge stainless steel tubing.

Installation: Seats must be installed using suitable fasteners and adequate in-wall support materials. ADA requires seating surface to be 17" to 19" from the floor.

Note: Final height and width dimensions of the delivered product shall be within reasonable tolerances of the quoted height and width dimensions.