

1: GLAZING MATERIAL

	INNER	OUTER
ACRYLIC DOME	<input type="checkbox"/>	<input type="checkbox"/>
POLYCARBONATE DOME	<input type="checkbox"/>	<input type="checkbox"/>

2: GLAZING COLOR

CLEAR	<input type="checkbox"/>	<input type="checkbox"/>
BRONZE	N/A	<input type="checkbox"/>
WHITE	<input type="checkbox"/>	<input type="checkbox"/>
OTHER _____	<input type="checkbox"/>	<input type="checkbox"/>

3: FRAME FINISH

MILL	<input type="checkbox"/>
BRONZE ANODIZED	<input type="checkbox"/>
CLEAR ANODIZED	<input type="checkbox"/>
CUSTOM COLOR _____	<input type="checkbox"/>

4: PYRAMID PITCH (OPTIONAL)

22 DEGREE (1/2 WIDTH X .414)	<input type="checkbox"/>
30 DEGREE (1/2 WIDTH X .577)	<input type="checkbox"/>
40 DEGREE (1/2 WIDTH X .839)	<input type="checkbox"/>

5: BAY CONFIGURATION

OF BAYS WIDTH = _____

OF BAYS LENGTH (SLOPE) = _____

GRID SYSTEM

*PROVIDE THE OVERALL OUTSIDE DIMENSION OF THE FINISHED CURB.

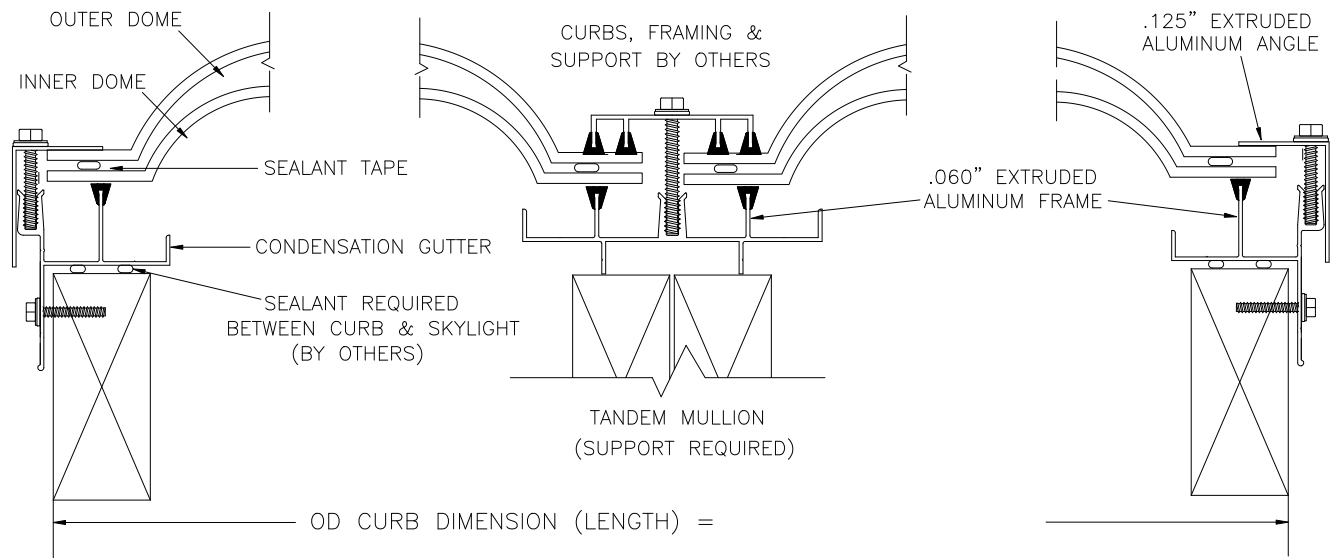
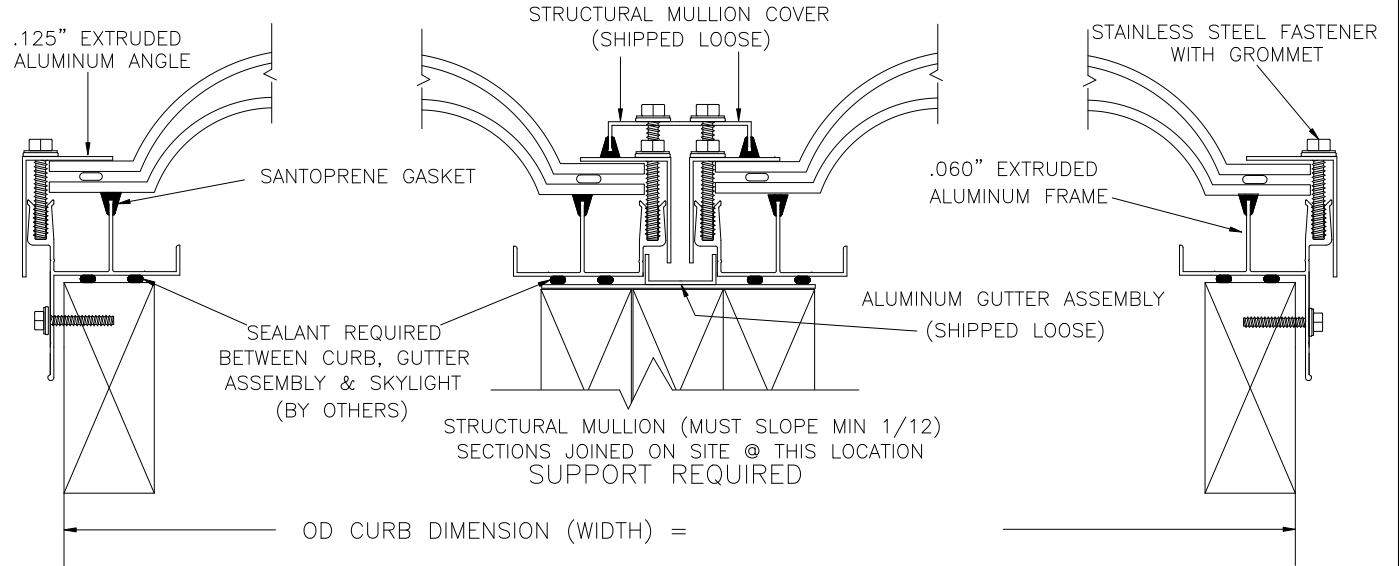
*GRID SYSTEMS SHIPPED AS MULTIPLE TANDEM SYSTEMS FOR PARTIAL FIELD ASSEMBLY.

*STRUCTURAL MULLION COVER & GUTTER ASSEMBLY SHIPPED LOOSE.

*STRUCTURAL MULLION MIN SLOPE = 1/12.

*#5 BAY CONFIGURATION MUST BE COMPLETED.

*BAY DETAIL AVAILABLE UPON REQUEST.



AMERICAN SKYLITES

525 113th STREET ARLINGTON, TEXAS 76011
 Phone 800.772.7401 Fax 800.445.7282

SPECIFICATIONS

TEST	TEST PRESSURE	ALLOWED
AIR INFILTRATION ASTM E283	6.24 PSF (50 MPH)	0.03 CFM/FT
WATER PENETRATION ASTM E547/E331	TEST PRESSURE 15.0 PSF	NO LEAKAGE
UNIFORM LOAD ASTM E330	POSITIVE 69.0 PSF NEGATIVE 75.0 PSF	60.0 PSF MIN 40.0 PSF MIN