

3/4" WALL BRACKET

- (2) #14x 1 1/2" S.M.S.
- (2) #14x 1 3/8" PLASTIC ANCHORS
(TO MOUNT BRACKET TO WALL)
- (1) 3/4" THRU-BOLT SET-5/8" BLIND NUT
W/ 1/2" SHOULDER BOLT
(TO MOUNT BRACKET TO STILE)

1/2" WALL BRACKET

- (2) #14x 1 1/2" S.M.S.
- (2) #14x 1 3/8" PLASTIC ANCHORS
(TO MOUNT BRACKET TO WALL)
- (1) 1/2" THRU-BOLT SET-1/2" BLIND NUT
W/ 3/8" NO SHOULDER BOLT
(TO MOUNT BRACKET TO PANEL)

1/2" x 58" "U" CHANNEL

- (6) 1/2" THRU-BOLT SETS-5/8" BLIND NUT
W/ 3/8" NO SHOULDER BOLT
(TO MOUNT "U" CHANNEL TO STILE)
- (6) 1/2" THRU-BOLT SETS-1/2" BLIND NUT
W/ 3/8" NO SHOULDER BOLT
(TO MOUNT "U" CHANNEL TO PANEL)

1/2" URINAL SCREEN BRACKET

- (2) #14x 1 1/2" S.M.S.
- (2) #14x 1 3/8" PLASTIC ANCHORS
(TO MOUNT BRACKET TO WALL)
- (2) 1/2" THRU-BOLTS SETS-1/2" BLIND NUT
W/ 3/8" NO SHOULDER BOLT
(TO MOUNT BRACKET TO URINAL SCREEN)

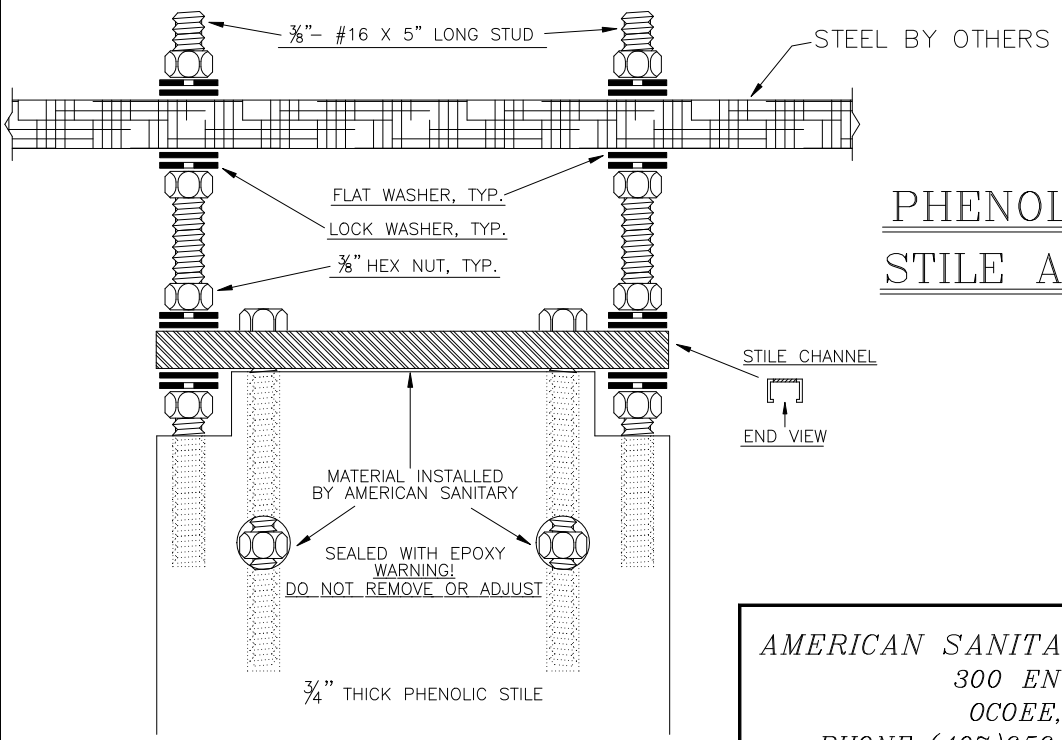
1/2" "U" BRACKETS

- (2) #14x 5/8" S.M.S.
(TO MOUNT "U" BRACKETS TO 1 1/4" POST)
- (1) 1/2" THRU-BOLT SET-1/2" BLIND NUT
W/ 3/8" NO SHOULDER BOLT
(TO MOUNT "U" BRACKET TO URINAL SCREEN)

REDUCTION BRACKETS (1 PAIR)

- (1) 3/4" THRU-BOLT SET-3/4" BLIND NUT
W/ 1/2" SHOULDER BOLT
(TO MOUNT BRACKET TO PANEL)
- (1) 1" THRU-BOLT SET-1/2" BLIND NUT
W/ 1/2" SHOULDER BOLT
(TO MOUNT BRACKET TO STILE)

HARDWARE LOCATION DETAIL



PHENOLIC CEILING STILE
STILE ANCHOR ASSEMBLY

REVISED 08/08/08

AMERICAN SANITARY PARTTION CORPORATION
 300 ENTERPRISE STREET
 OCOEE, FLORIDA 34761
 PHONE (407)656-0611 FAX (407)656-8189