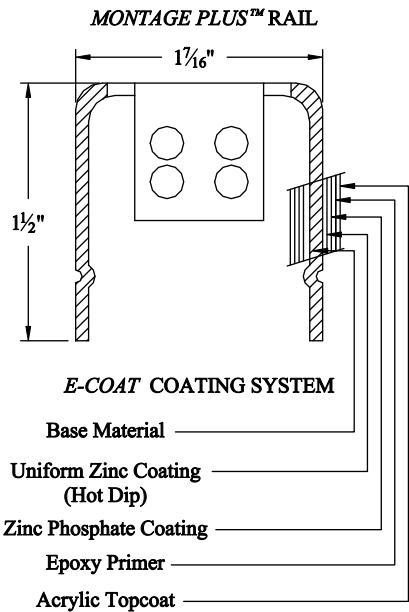
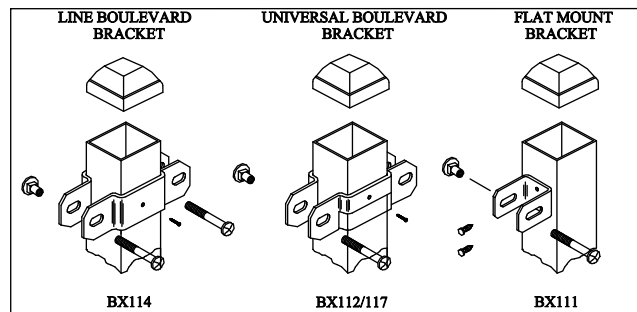
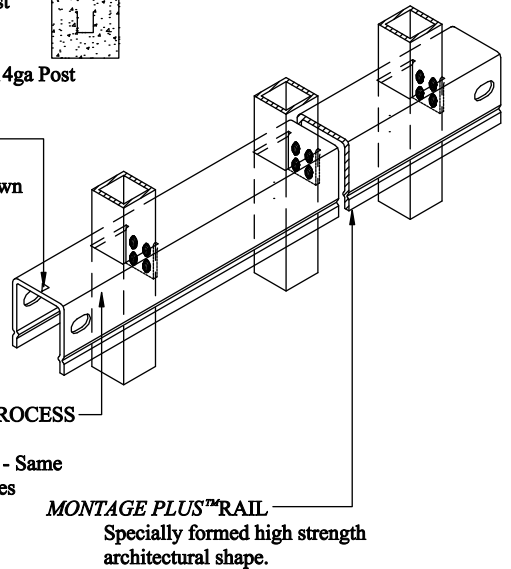


RAKING DIRECTIONAL ARROW
 Welded panel can be raked 30" over 8' with arrow pointing down grade.



PROFUSION™ WELDING PROCESS
 No exposed welds,
 Good Neighbor profile - Same appearance on both sides



COMMERCIAL STRENGTH WELDED STEEL PANEL
PRE-ASSEMBLED

Title: MONTAGE COMMERCIAL GENESIS 3/4-RAIL			
DR: RTM	SH . 1 of 1	SCALE: DO NOT SCALE	
CK: ME	Date 6/2/08	REV: b	



AMERISTAR®

1555 N. Mingo
 Tulsa, OK 74116
 1-888-333-3422
 www.ameristarfence.com