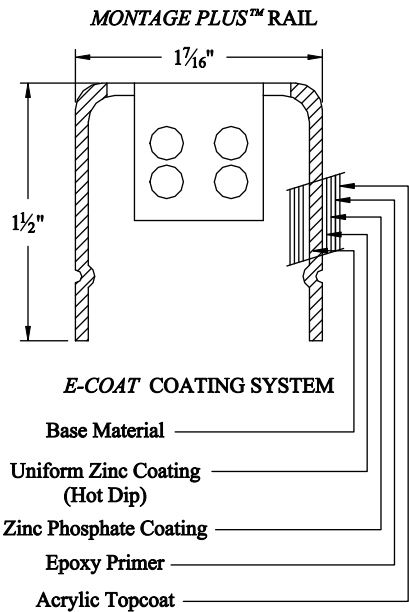


NOTES:

- 1.) Post size depends on fence height and wind loads. See *MONTAGE PLUS™* specifications for post sizing chart.
- 2.) Third rail required for *Double Rings*.
- 3.) Available in 3" air space and/or Flush Bottom on most heights.

RAKING DIRECTIONAL ARROW

Welded panel can be raked 30" over 8' with arrow pointing down grade.

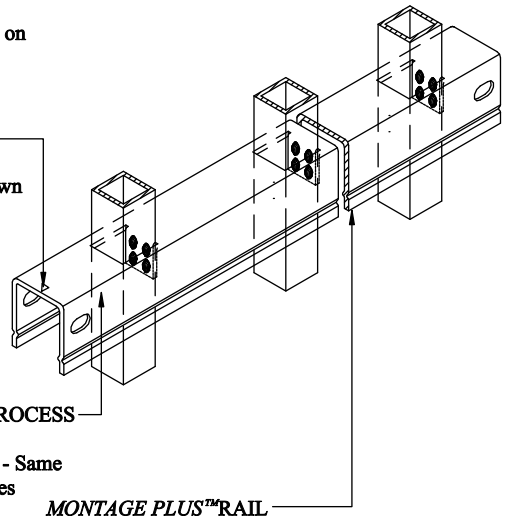


E-COAT COATING SYSTEM

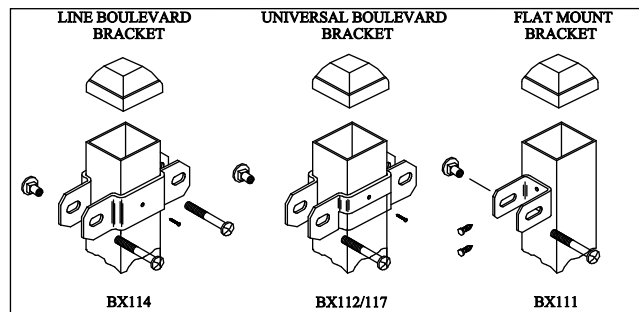
- Base Material
- Uniform Zinc Coating (Hot Dip)
- Zinc Phosphate Coating
- Epoxy Primer
- Acrylic Topcoat

PROFUSION™ WELDING PROCESS

No exposed welds,
Good Neighbor profile - Same appearance on both sides



MONTAGE PLUS™ RAIL
Specially formed high strength architectural shape.



**COMMERCIAL STRENGTH WELDED STEEL PANEL
PRE-ASSEMBLED**

Title: MONTAGE PLUS MAJESTIC 2/3-RAIL		
DR: CI	SH . 1 of 1	SCALE: DO NOT SCALE
CK: ME	Date 7/20/09	REV: d



AMERISTAR™

1555 N. Mingo
Tulsa, OK 74116
1-888-333-3422
www.ameristarfence.com