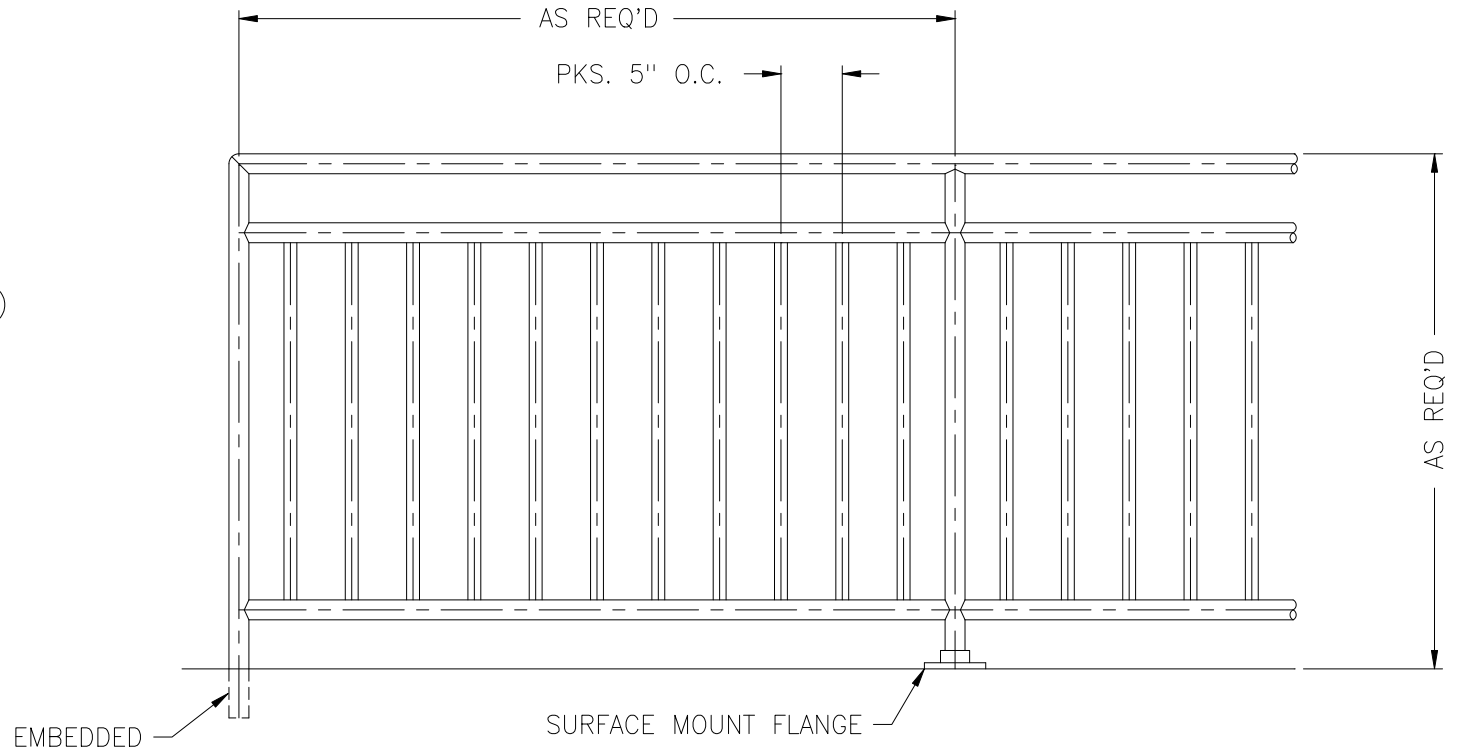
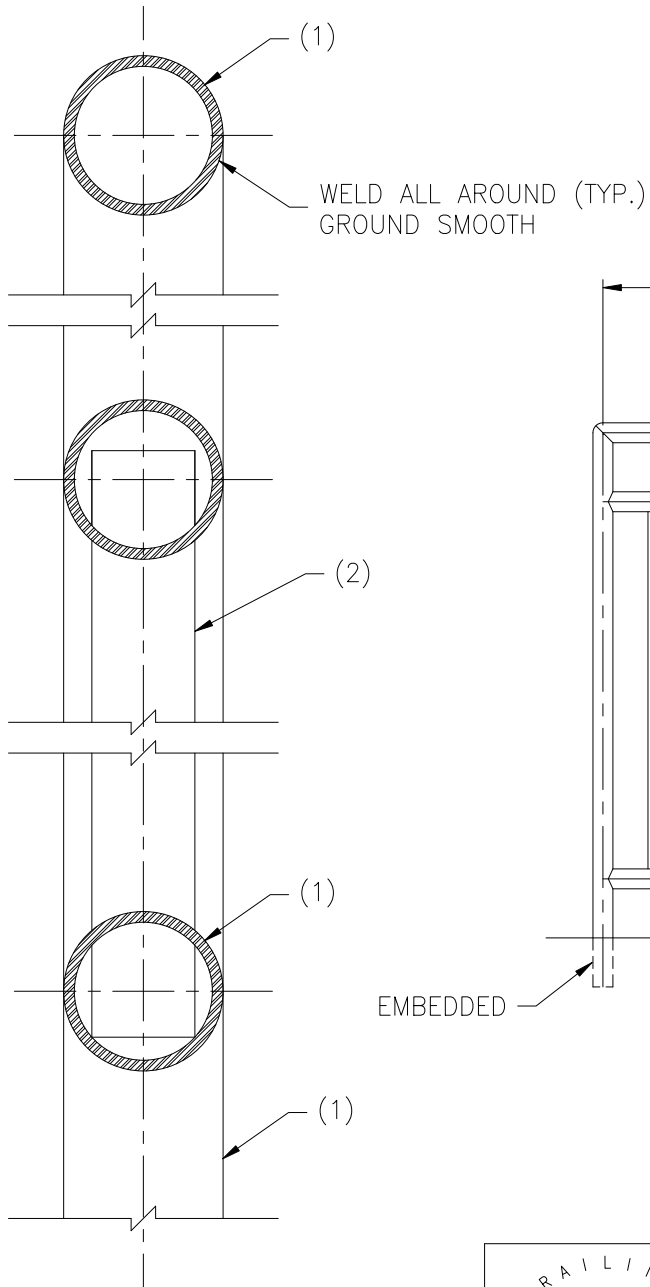


ARS 1 1/4" SS PRESSED PICKET RAILING

ITEM NO.	PART NO.	DESCRIPTION	MATERIAL
1		1 1/4" SCH.10 SS PIPE (1.660" O.D. x .109"thk.)	S.STL.
2		3/4" SCH.5 SS PIPE (1.050" O.D. x .065"thk.)	S.STL.



RAILING ELEVATION
(Scale: 3/4" = 1'-0")

RAILING CROSS-SECTION
(Scale: 1/2)



American Railing Systems, Inc.

1813 McCLELLAND AVENUE
 ERIE, PA 16510
 PHONE: (814)899-7677 WEBSITE: WWW.AMERICANRAILING.COM
 FAX: (814)899-0743 EMAIL: ARS@AMERICANRAILING.COM

STYLE: SP PRESSED PICKET PIPE RAILING

FINISH: #4 POLISH

CUSTOMER:

JOB NAME:

DATE: 7-23-03

JOB #: