

H G F E D C B A

1

2

3

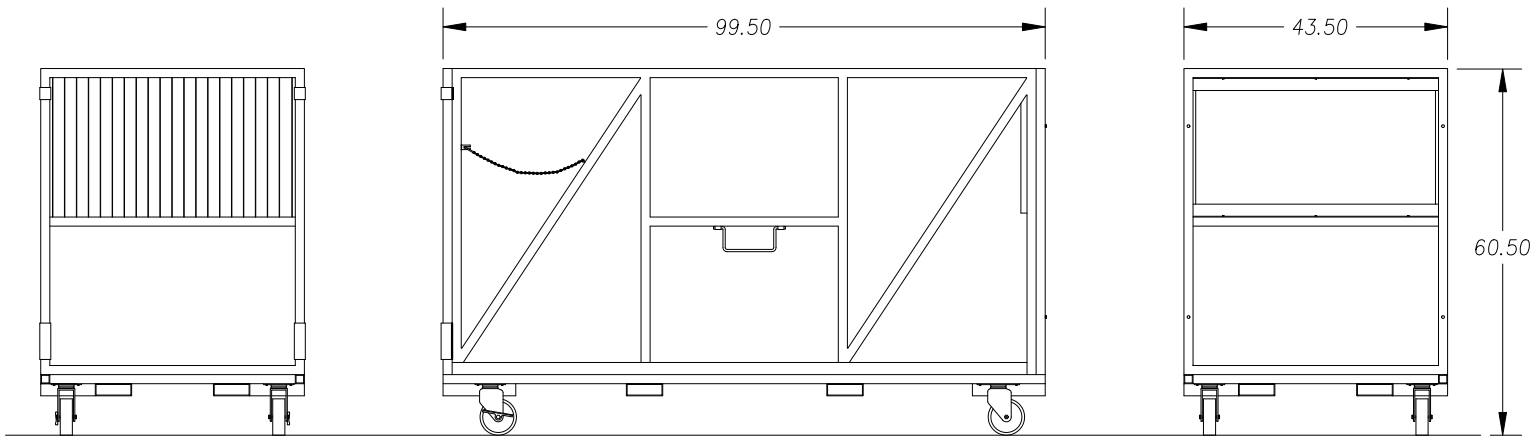
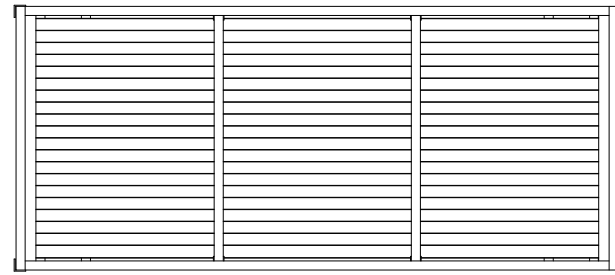
4

5

6

7

8



AMERICAN HARLEQUIN CORPORATION  
 1531 GLEN AVENUE  
 MOORESTOWN, NJ 08057  
 856-234-5505 FAX: 856-231-4403  
 dance@harlequinfloors.com  
 www.harlequinfloors.com

DRAWING TITLE:  
 STORAGE CART FOR LIBERTY  
 STAGE PANELS

DRAWING NUMBER:	SCALE NTS	REV. 0
-----------------	--------------	-----------