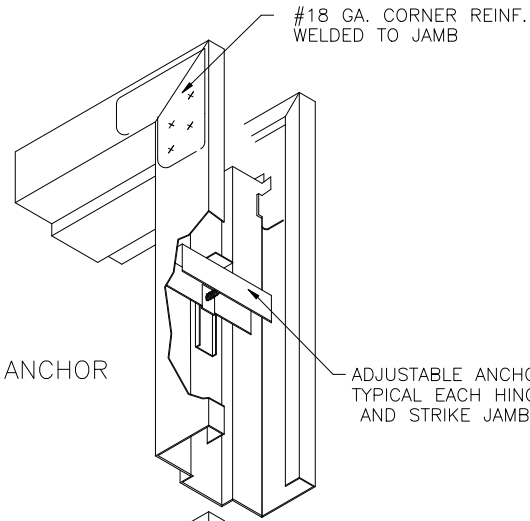


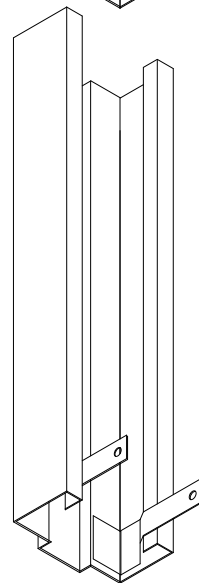
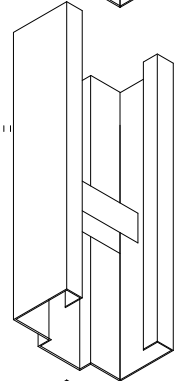
ANCHOR TYPES



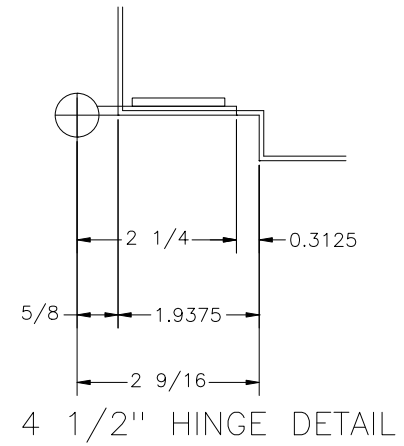
ADJUSTABLE ANCHOR

MIDDLE STIFFENER

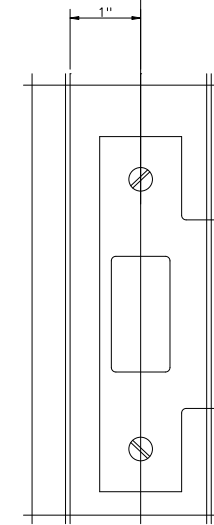
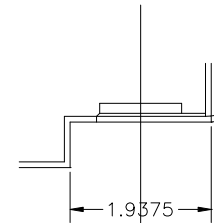
- 1 REQ'D FOR JAMBS 7'-0" THRU 8'-0"
- 2 REQ'D FOR JAMBS ABOVE 8'-0"



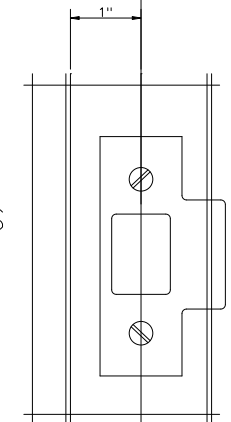
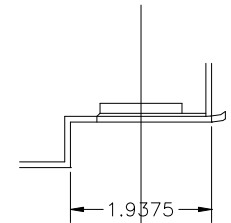
WELDED SILL STRAPS



4 1/2" HINGE DETAIL



UNIVERSAL  
4 7/8" STRIKE



STRIKES  
SUPPLIED  
BY OTHERS

#161 SERIES  
2 3/4" STRIKE

ALT. REVERSE 18 GA.  
FLOOR ANCHOR

