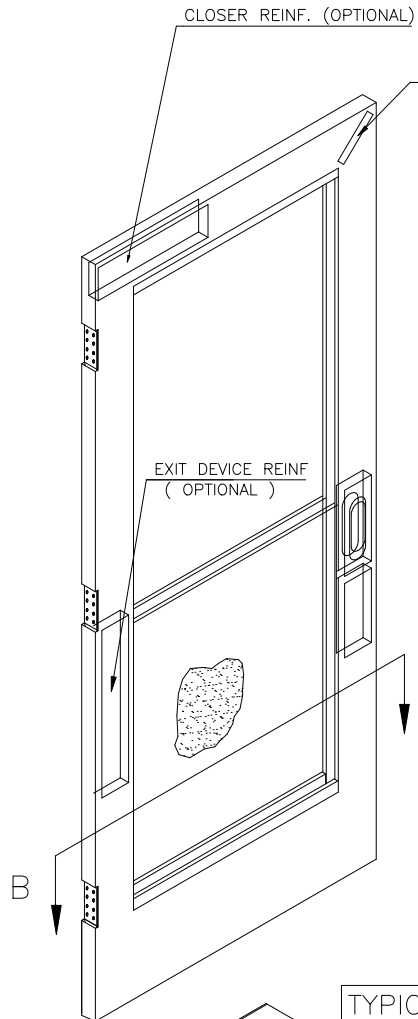
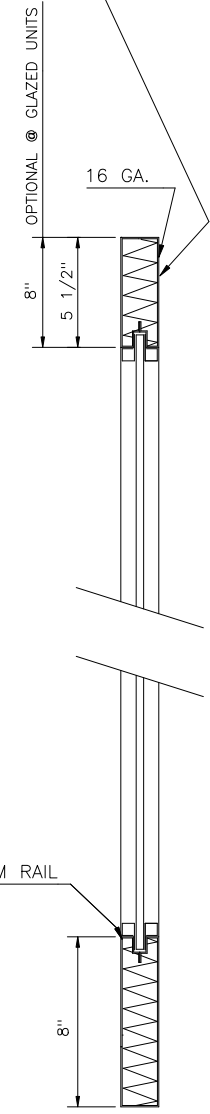
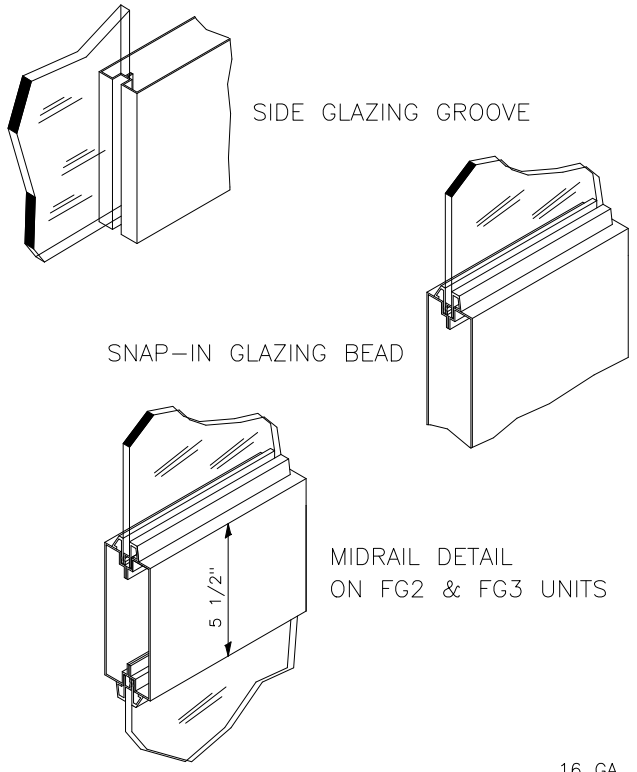


TOP VIEW (SECTION B-B)

OPTIONAL 0.6# DENSITY FIBERGLASS INSULATION IN PERIMETER WHERE SPECIFIED.

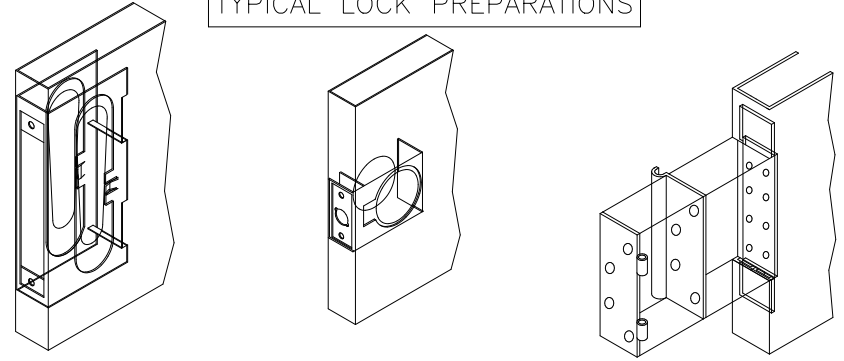


TYPICAL GLAZING SYSTEM



VERTICAL SECTION

TYPICAL LOCK PREPARATIONS



HINGE DETAIL

16 GA. BOTTOM RAIL

8"