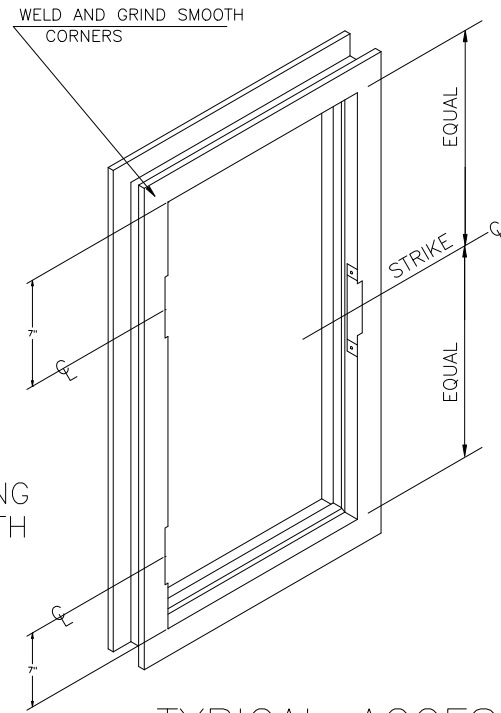


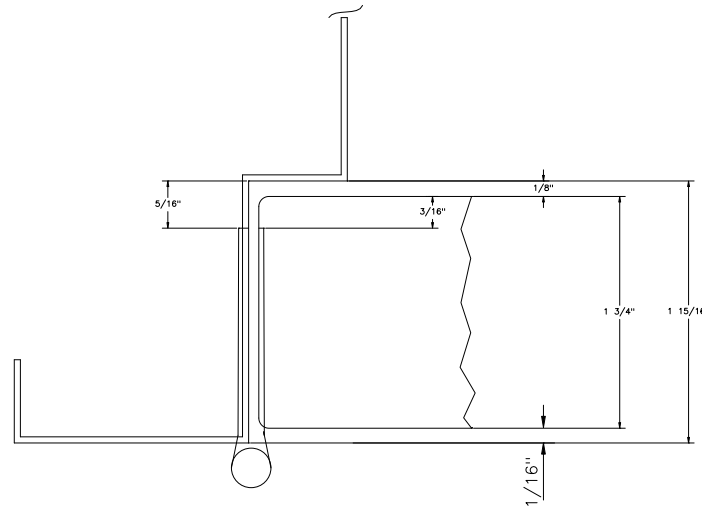
TYPICAL ACCESS DOOR

CLEARANCE BETWEEN DOOR & FRAME IS $\frac{1}{8}$ " ON ALL 4 SIDES.

ACCESS DOOR SPACING CANNOT BE USED WITH SPECIAL HEIGHT 3 SIDED FRAMES.



TYPICAL ACCESS FRAME



$1 \frac{3}{4}$ " DOORS

AMWELD'S DOOR, FRAME & HINGE RELATIONSHIP.