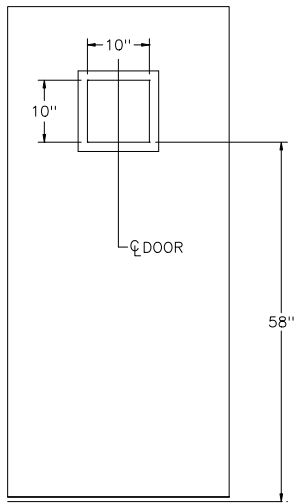
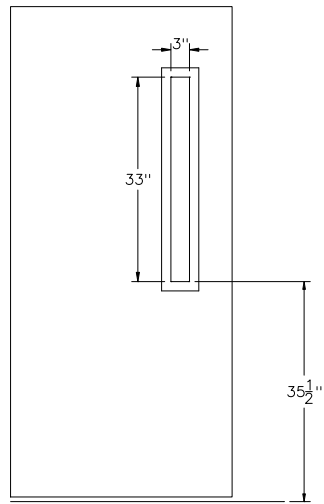


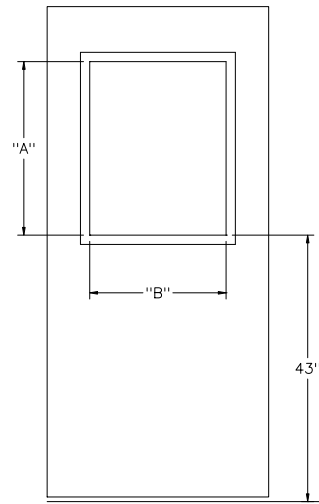
# EXPOSED GLASS LOCATIONS



V

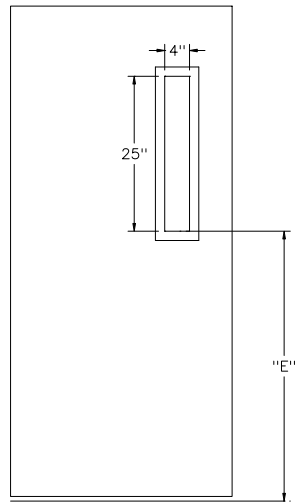


N333

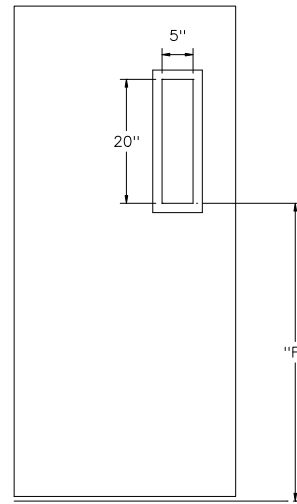


G

NOMINAL DOOR HEIGHT	DIM. "E" N425	DIM. "F" N520
6'8"	47 1/2"	50"
7'0"	51 1/2"	54"
7'2"	53 1/2"	56"
7'10"	53 1/2"	56"
8'0"	53 1/2"	56"



N425



N520

NOMINAL DOOR HEIGHT	DIM. "A" EXPOSED HEIGHT
6'8"	28"
7'0"	30"
7'2"	30"
7'10"	34"
8'0"	34"

NOMINAL DOOR WIDTH	DIM. "B" EXPOSED WIDTH
2'0"	10"
2'4"	14"
2'6"	14"
2'8"	16"
2'10"	16"
3'0"	22"
3'4"	22"
3'6"	22"
3'8"	30"
3'10"	30"
4'0"	30"

36" MIN. DOOR WIDTH TO SUIT HANDICAP CODE

Note: Dimensions shown are from bottom of frame to exposed lite.