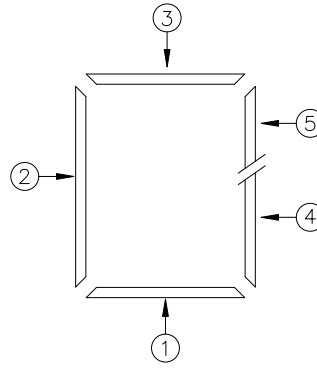
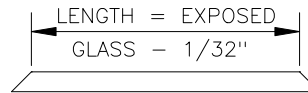


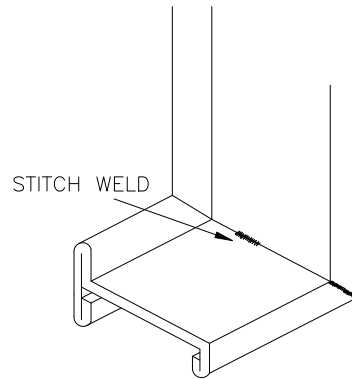
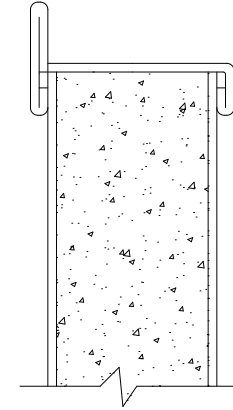
1. CUT LINE OPENING AS REQUIRED. DOOR CUTOUT = EXPOSED LITE SIZE + 1 3/4".



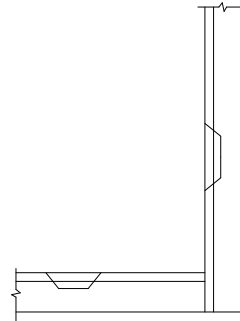
2. CUT ASTRAGAL SECTIONS 1 THRU 4 TO SUIT OPENING SIZE. CUT SECTION 5 LAST. THIS SECTION ALLOWS INSTALLATION OF THE 4-SIDED FRAMEWORK.



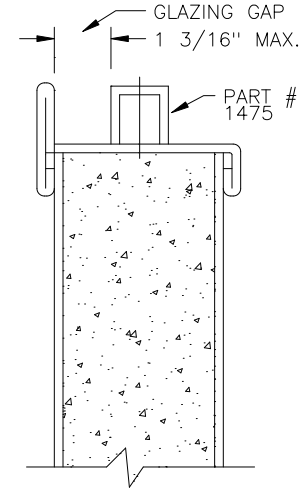
3. INSTALL ASTRAGAL SECTIONS ONTO DOOR. SECTION #5 MUST BE INSTALLED LAST.



4. SQUARE UP CORNERS OF ASTRAGAL. WELD AND GRIND JOINTS ON BOTH FACES.



5. CUT #1475 GLAZING BEADS TO LENGTH.
VERTICAL = ASTRAGAL OPENING - 1/32".
HORIZONTAL = AST - RAGAL OPENING - 1 9/32".



6. INSTALL #1475 GLAZING BEAD WITH #8 X 18 X 1" SCREWS #9443-3.

CONSULT FAB-A-FRAME DATA SHEET
#5-42 FOR FURTHER INFORMATION