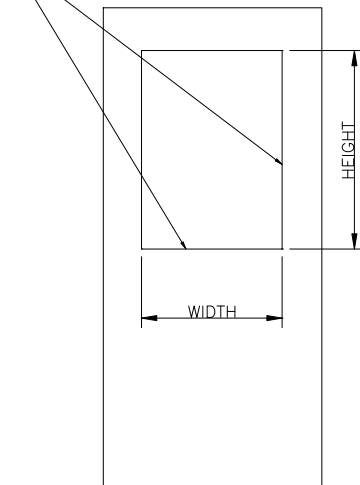
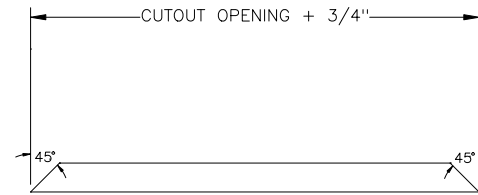


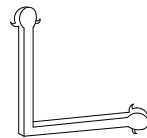
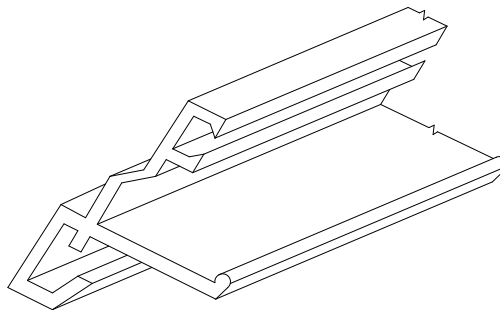
CORE SHOULD SURROUND
& BE EVEN WITH CUTOUT.



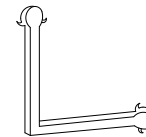
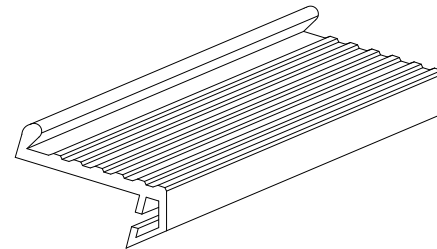
1. MAKE CUTOUT IN DOOR
(EXPOSED GLASS SIZE
DESIRED + 2 1/4")



2. MITER OUTSIDE AND INSIDE
GLAZING SECTIONS AS
INDICATED. (MITERS MUST
BE ACCURATE.)



3. ASSEMBLE OUTSIDE SECTIONS
INTO PICTURE FRAME USING
FOUR (4) DRIVE-IN CORNER
KEYS.



4. ASSEMBLE INSIDE SECTIONS
INTO PICTURE FRAME USING
FOUR (4) DRIVE-IN CORNER
KEYS.