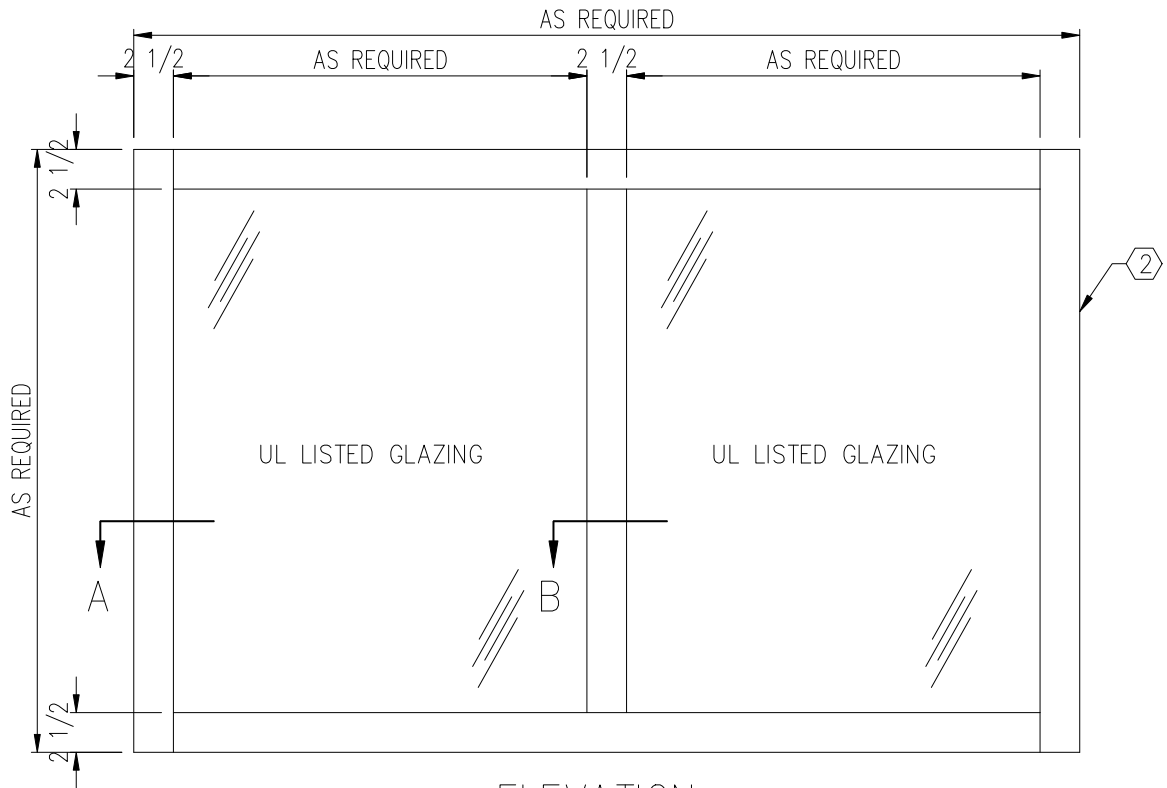


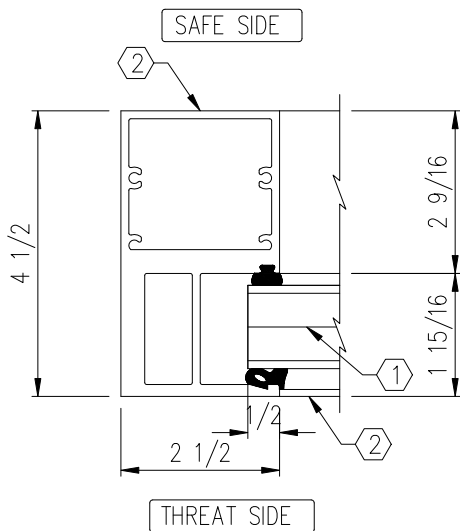
NOTES:

- ① UL LISTED BULLET RESISTANT GLAZING
- ② EXTRUDED ALUMINUM FRAME (6061-T6 ALLOY)

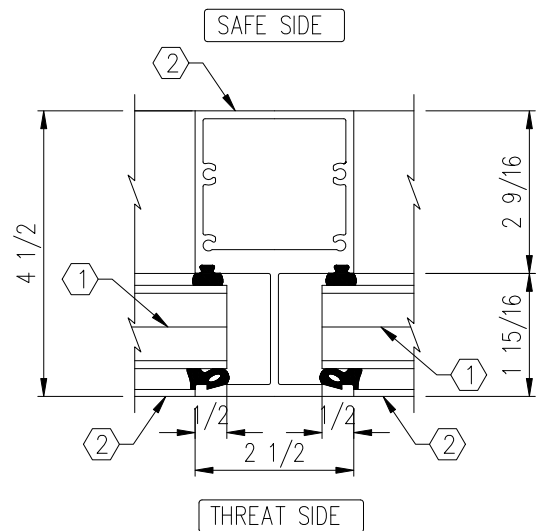
- ③ NEOPRENE SETTING BLOCKS
- ④ ANCHORS AS REQUIRED (BY OTHERS)



ELEVATION  
(\_\_ - REQUIRED)



SECTION A



SECTION B  
(OPTIONAL)

C:\ARMORTEX MASTERS - 2007\WINDOWS\STOREFRONT\44-450.DWG.DWG 02/14/07 © 13:32 User: aperez

REVISIONS			<b>ARMORTEX</b> ® BULLET / BLAST RESISTANT PRODUCTS 5926 CORRIDOR PKWY SCHERTZ, TX 78154 TEL: 210-661-8306 800-880-8306 FAX: 210-661-8308		BALLISTIC LEVEL	
No.	DESCRIPTION	DATE			DRN.BY:	DATE:
			B. LEWIS	00-00-00		
			CHKD.BY:	DATE:		
			DRAWING No.	SHEET		
			44-450	1 OF 1		
TITLE: ARMORTEX® BULLET RESISTANT ALUMINUM STOREFRONT FRAME SYSTEM FIXED WINDOW MODEL 44-450 UNLESS OTHERWISE SPECIFIED ALL DIMENSIONS ARE IN INCHES			PROJECT NAME:	SCALE	PROJECT No.	
				NONE		