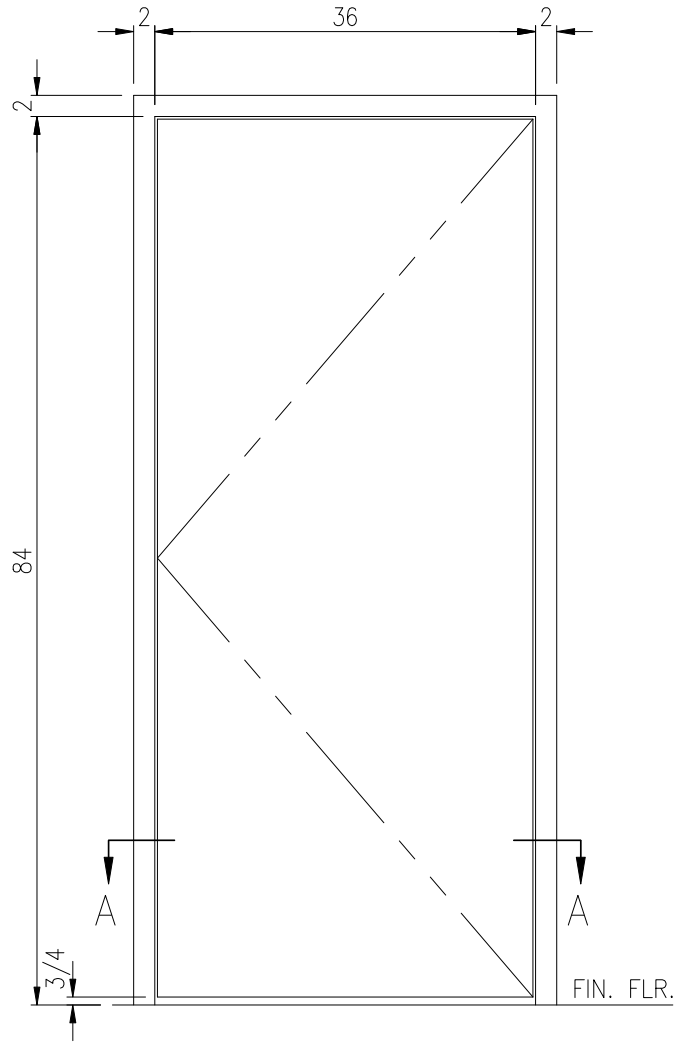


NOTES:

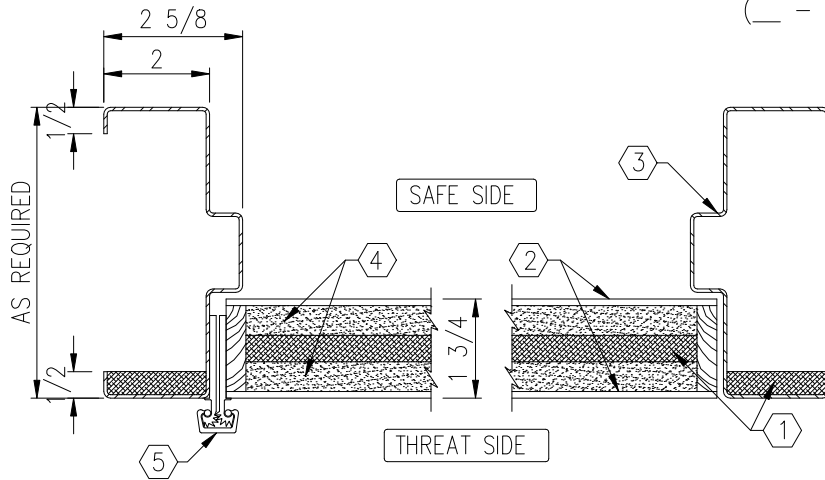
- ① UL LISTED ARMORTEX BULLET RESISTANT COMPOSITES
- ② UNFINISHED VENEER IS RED OAK OR BIRCH (ANY CUSTOM VENEER IS AVAILABLE)
- ③ 16 GA. PRIME PAINTED STEEL FRAME
- ④ CORE - PARTICLE BOARD
- ⑤ CONTINUOUS GEAR HINGE
- ⑥ HARDWARE AS SPECIFIED (BY OTHERS) (UNLESS NOTED)

NOTE:

ALL SURFACE MOUNTED HARDWARE OR DEVICES MUST BE THRU BOLTED



NL  
ELEVATION  
( — - REQUIRED)



SECTION A-A

C:\ARMORTEX MASTERS - 2007\DOORS\D1012001.DWG.DWG 03/21/07 @ 10:39 User: aperez

REVISIONS			ARMORTEX <sup>®</sup> BULLET / BLAST RESISTANT PRODUCTS		BALLISTIC LEVEL	
No.	DESCRIPTION	DATE	5926 CORRIDOR PKWY SCHERTZ, TX 78154		DRN.BY:	DATE:
			TEL: 210-661-8306 800-880-8306 FAX: 210-661-8308		B. LEWIS	00-00-00
			TITLE: ARMORTEX <sup>®</sup> BULLET RESISTANT NL 3684 WOOD DOOR		CHKD.BY:	DATE:
			UNLESS OTHERWISE SPECIFIED ALL DIMENSIONS ARE IN INCHES		DRAWING No.	SHEET
			SCALE: NONE	PROJECT No.	D1012001	1 OF 1