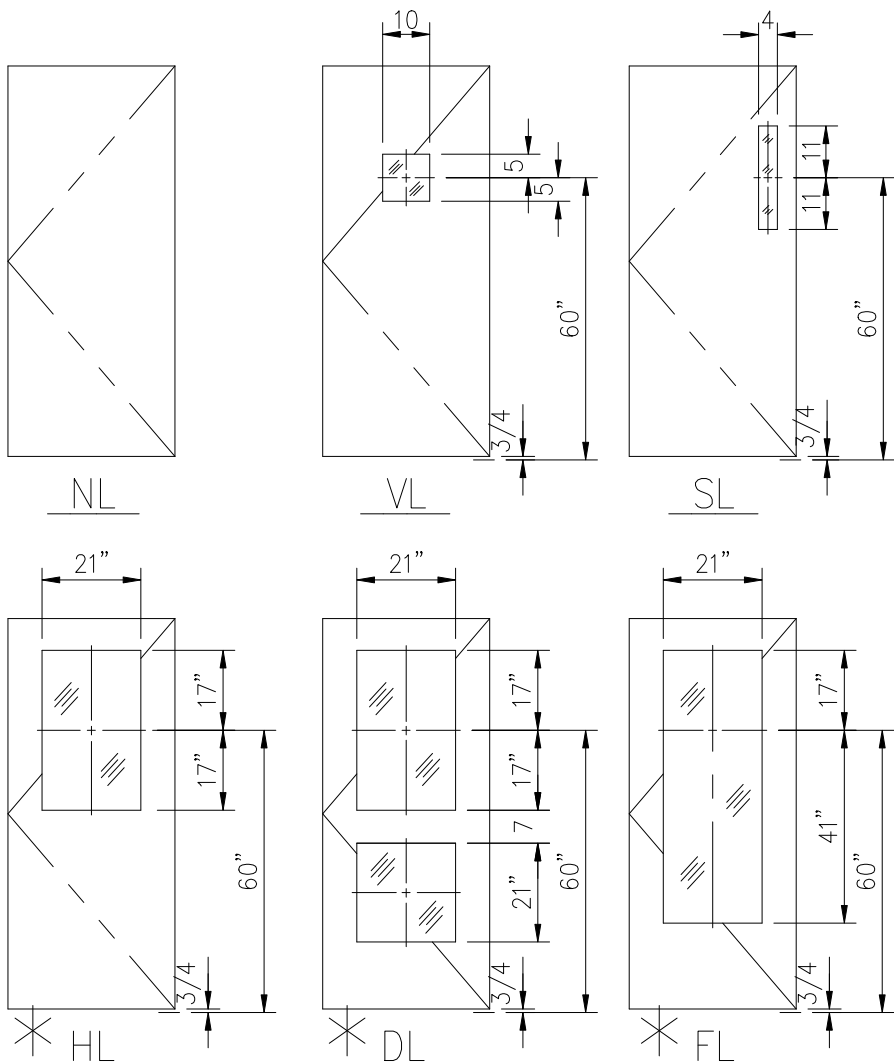
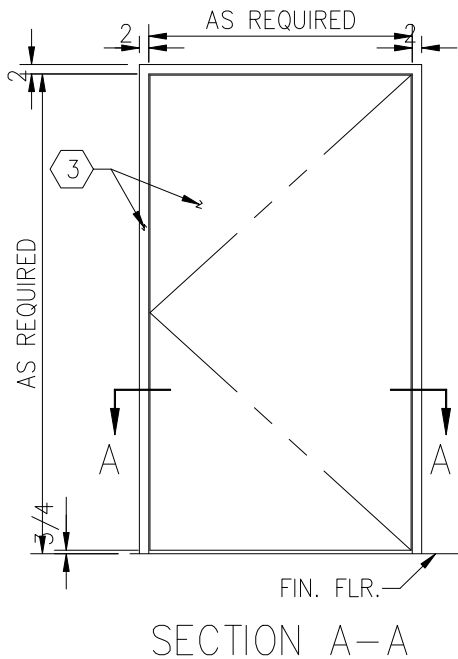
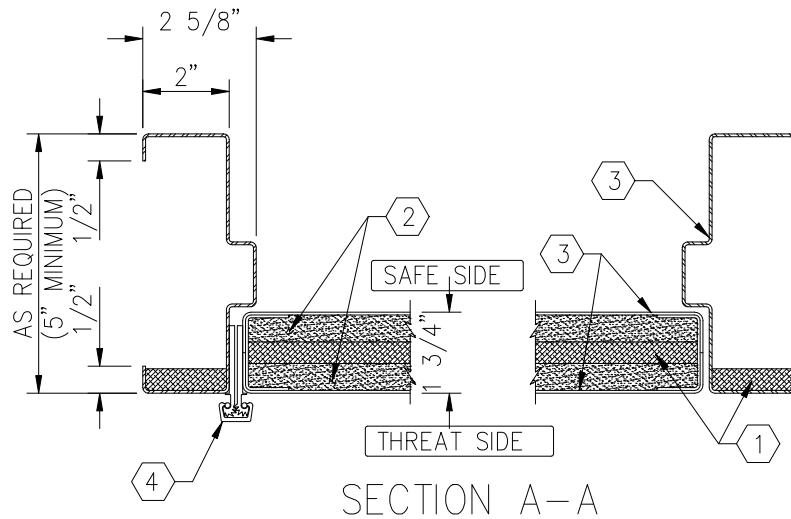


NOTES:

- ① UL LISTED ARMORTEX BULLET RESISTANT COMPOSITES
- ② FOAMED-IN-PLACE URETHANE INSULATION
- ③ 16 GA. PRIMED STEEL DOOR AND FRAME
- ④ CONTINUOUS GEAR HINGE
- ⑤ HARDWARE AS SPECIFIED (BY OTHERS) (UNLESS NOTED)

* STANDARD GLASS SIZES ARE FOR A 36" x 84" DOOR



C:\ARMORTEX MASTERS - 2007\DOORS\D1012015.DWG 02/15/07 @ 10:59 User: aperez

REVISIONS			ARMORTEX ® BULLET / BLAST RESISTANT PRODUCTS 5926 CORRIDOR PKWY SCHERTZ, TX 78154 TEL: 210-661-8306 800-880-8306 FAX: 210-661-8308		BALLISTIC LEVEL	
No.	DESCRIPTION	DATE			DRN.BY:	DATE:
			B. LEWIS	00-00-00		
			CHKD.BY:	DATE:		
			DRAWING No.	SHEET		
			D1012015	1 OF 1		

TITLE:
 ARMORTEX® BULLET RESISTANT HOLLOW METAL DOOR AND FRAME
 UNLESS OTHERWISE SPECIFIED ALL DIMENSIONS ARE IN INCHES

PROJECT NAME:
 SCALE: NONE PROJECT No. _____