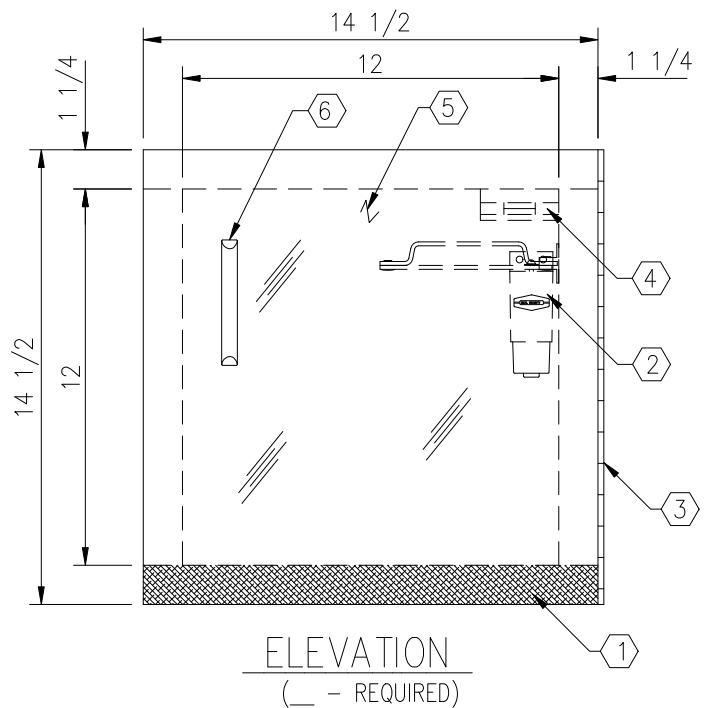
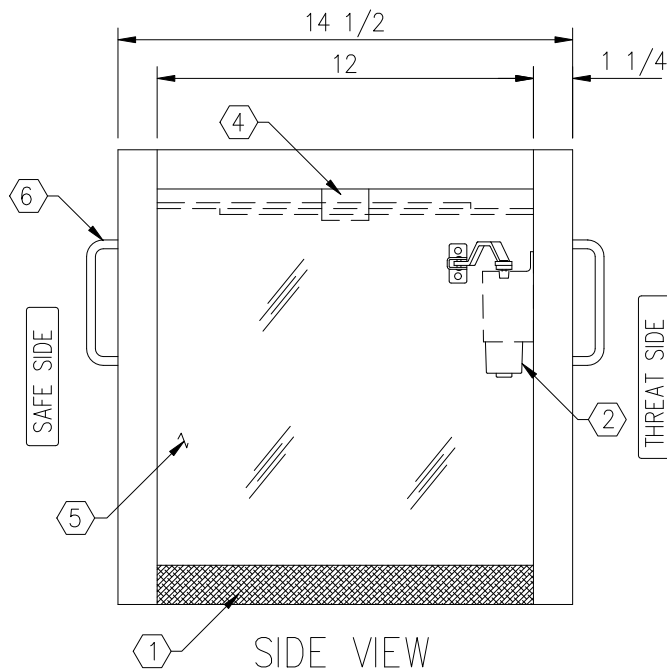
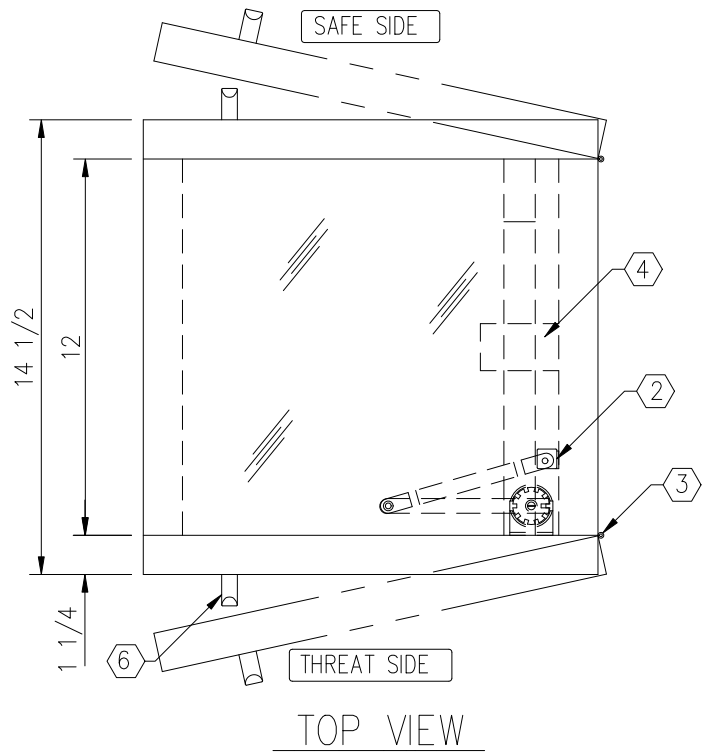


NOTES:

- ① HIGH PRESSURE LAMINATED PLASTIC BASE
- ② AUTOMATIC DOOR CLOSER
- ③ STAINLESS STEEL HINGE
- ④ DOOR INTERLOCK MECHANISM
- ⑤ UL LISTED LEVEL 3 ARMORTEX BULLET RESISTANT POLYCARBONATE - TP 300
- ⑥ HANDLE

NOTE:

OTHER SIZES AND PROTECTION LEVELS ARE AVAILABLE



C:\ARMORTEX MASTERS - 2007\PACKAGE RECEIVER\P1013002.DWG.DWG 02/15/07 @ 15:59 User: aperez

REVISIONS			<b>ARMORTEX</b> ® BULLET / BLAST RESISTANT PRODUCTS		BALLISTIC LEVEL 3	
No.	DESCRIPTION	DATE	5926 CORRIDOR PKWY SCHERTZ, TX 78154		DRN.BY:	DATE:
			TEL: 210-661-8306 800-880-8306 FAX: 210-661-8308		B. LEWIS	00-00-00
			TITLE: ARMORTEX® BULLET RESISTANT TRANSPARENT PACKAGE RECEIVER		CHKD.BY:	DATE:
			UNLESS OTHERWISE SPECIFIED ALL DIMENSIONS ARE IN INCHES		DRAWING No.	SHEET
			SCALE: NONE	PROJECT No.	P1013002	1 OF 1