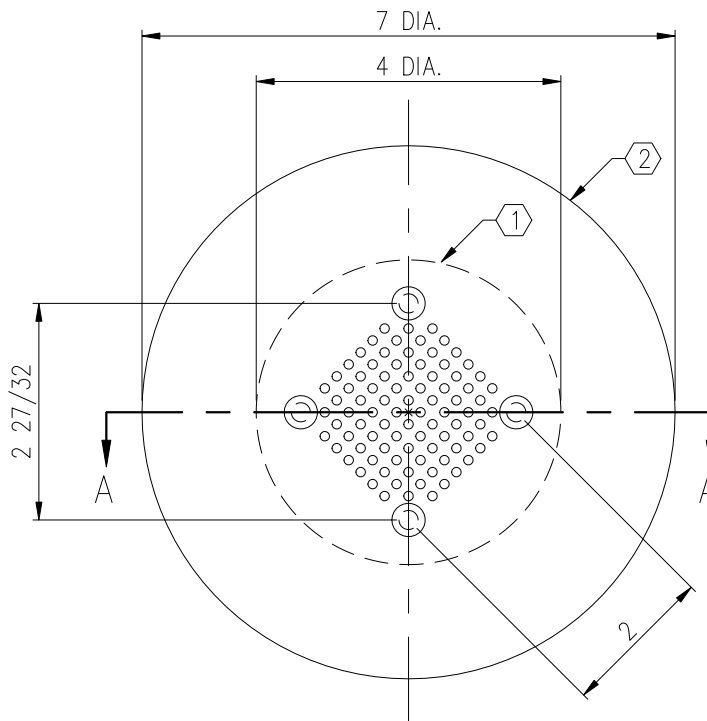
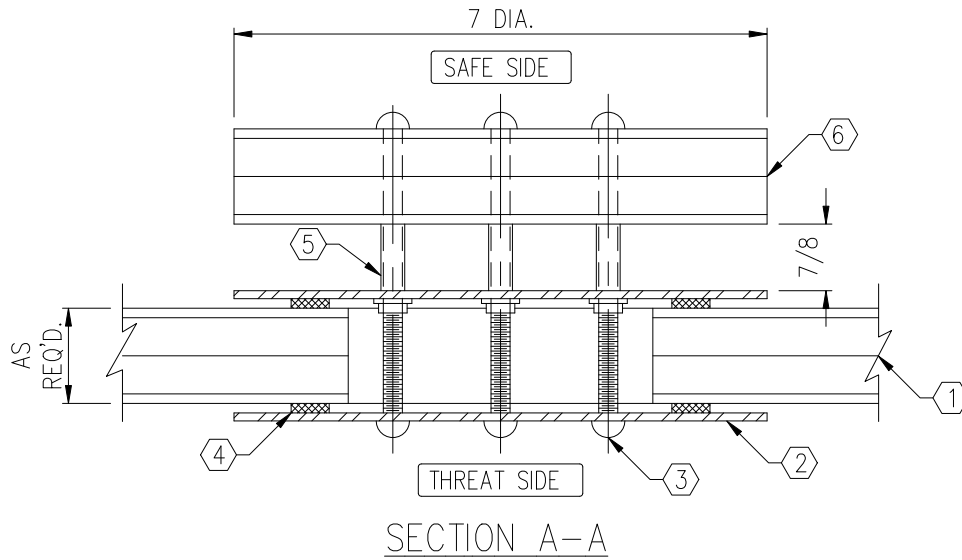


NOTES:

- ① UL LISTED BULLET RESISTANT GLAZING WITH A 4" TO 6" HOLE
  - ② 12 GA. STAINLESS STEEL SPEAKER
  - ③ 1/4" DIA. STAINLESS STEEL SCREWS
- ④ TREMCO-440 GLAZING TAPE (BY OTHERS)
  - ⑤ SPACER NUTS
  - ⑥ UL LISTED LEVEL 3 ARMORTEX BULLET RESISTANT POLYCARBONATE - TP 300



C:\ARMORTEX MASTERS - 2007\SPEAKERS\1014000.DWG 02/20/07 @ 08:50 User: aperez

REVISIONS			<b>ARMORTEX</b> ® BULLET / BLAST RESISTANT PRODUCTS		BALLISTIC LEVEL 3		
No.	DESCRIPTION	DATE	5926 CORRIDOR PKWY SCHERTZ, TX 78154		DRN.BY:	DATE:	
			TEL: 210-661-8306 800-880-8306 FAX: 210-661-8308		B. LEWIS	00-00-00	
			TITLE:	PROJECT NAME:	CHKD.BY:	DATE:	
			ARMORTEX® BULLET RESISTANT SPEAKER MODEL SSBRS-7				
			UNLESS OTHERWISE SPECIFIED ALL DIMENSIONS ARE IN INCHES	SCALE	PROJECT No.	DRAWING No.	SHEET
				NONE		S1014000	1 OF 1