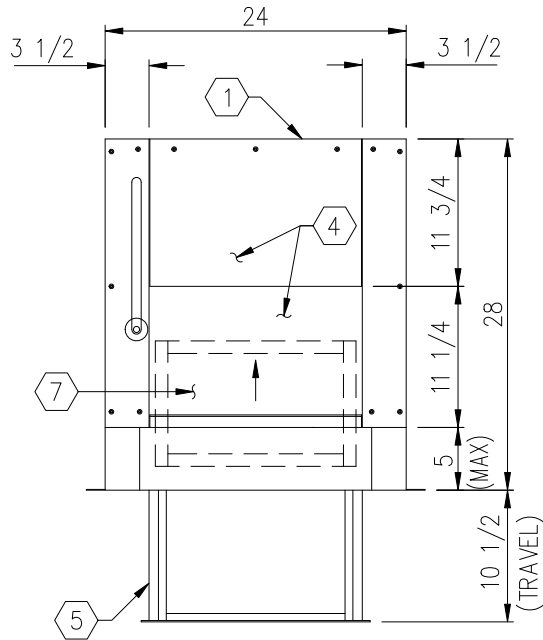


NOTES:

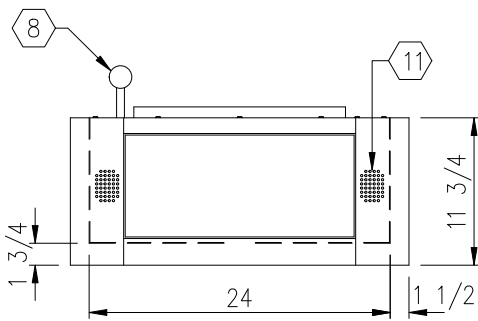
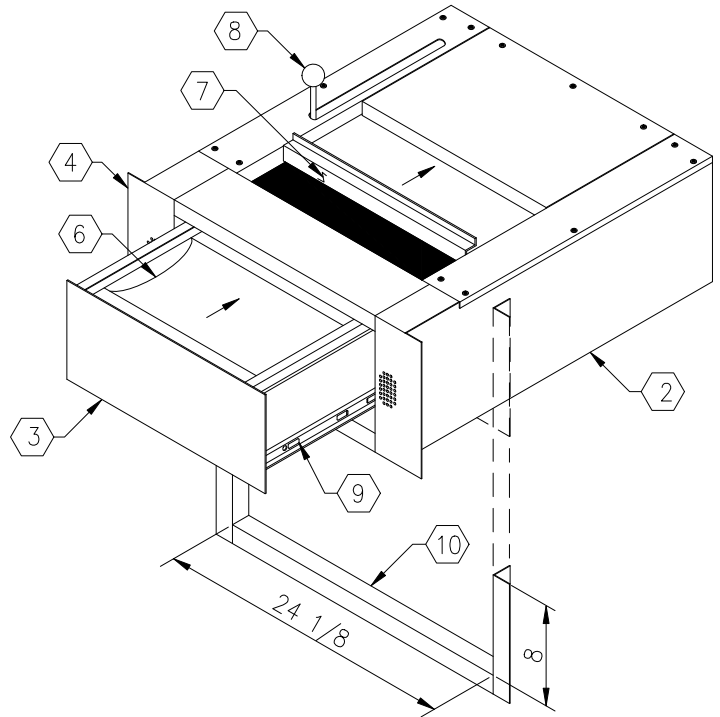
- 1 UL LISTED ARMORTEX BULLET RESISTANT COMPOSITES
- 2 16 GA. PRIME PAINTED STEEL CASE
- 3 12 GA. STAINLESS STEEL DRAWER FRONT
- 4 12 GA. STAINLESS STEEL TOP AND FRONT
- 5 STAINLESS STEEL DRAWER
- 6 16 GA. STAINLESS STEEL SLIDING DIP TRAY
- 7 STAINLESS STEEL SLIDING DRAWER COVER
- 8 STAINLESS STEEL ACTUATING HANDLE
- 9 SLIDING DRAWER TRACKS

- 10 THREE SIDED ADJUSTABLE MOUNTING FRAME
- 11 PERFORATED STAINLESS STEEL PANEL (SPEAKER / MIC. OPTIONAL)

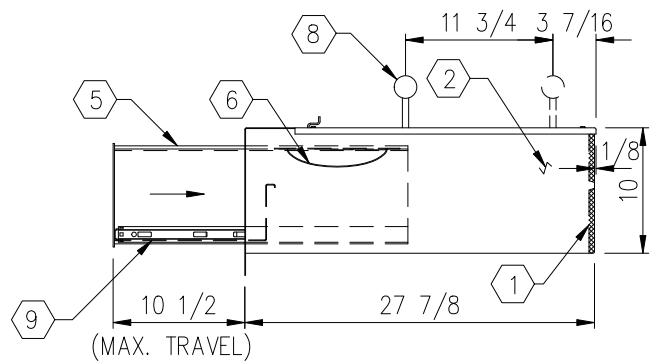
SIZE (CLEAR INSIDE)
 PACKAGE BIN 14" W. x 13" D. x 7 1/8" H.
 SLIDING DIP TRAY 13" W. x 12" D. x 1 3/4" H.



TOP VIEW
 (— — REQUIRED)



FRONT VIEW



SIDE VIEW

C:\ARMORTEX MASTERS - 2007\TRANSACTION DRAWERS\T1016003.DWG.DWG 02/19/07 @ 10:03 User: aperez

REVISIONS			ARMORTEX [®] BULLET / BLAST RESISTANT PRODUCTS		BALLISTIC LEVEL	
No.	DESCRIPTION	DATE	5926 CORRIDOR PKWY SCHERTZ, TX 78154		DRN.BY:	DATE:
			TEL: 210-661-8306 800-880-8306 FAX: 210-661-8308		B. LEWIS	00-00-00
			TITLE: ARMORTEX [®] BULLET RESISTANT TRANSACTION DRAWER MODEL 6003		CHKD.BY:	DATE:
			UNLESS OTHERWISE SPECIFIED ALL DIMENSIONS ARE IN INCHES		DRAWING No.	SHEET
			PROJECT NAME:	SCALE: NONE	T1016003	1 OF 1