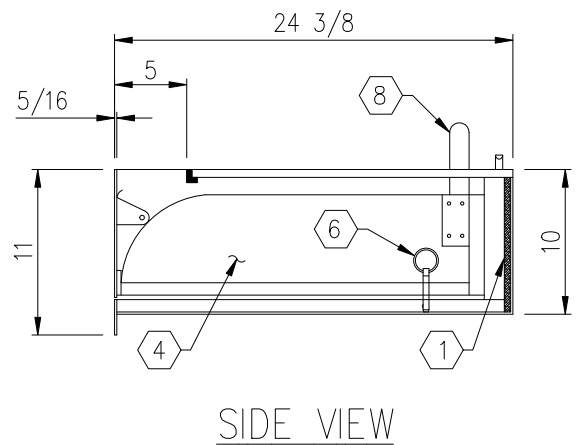
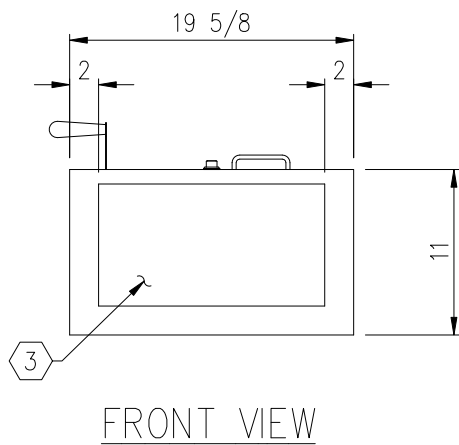
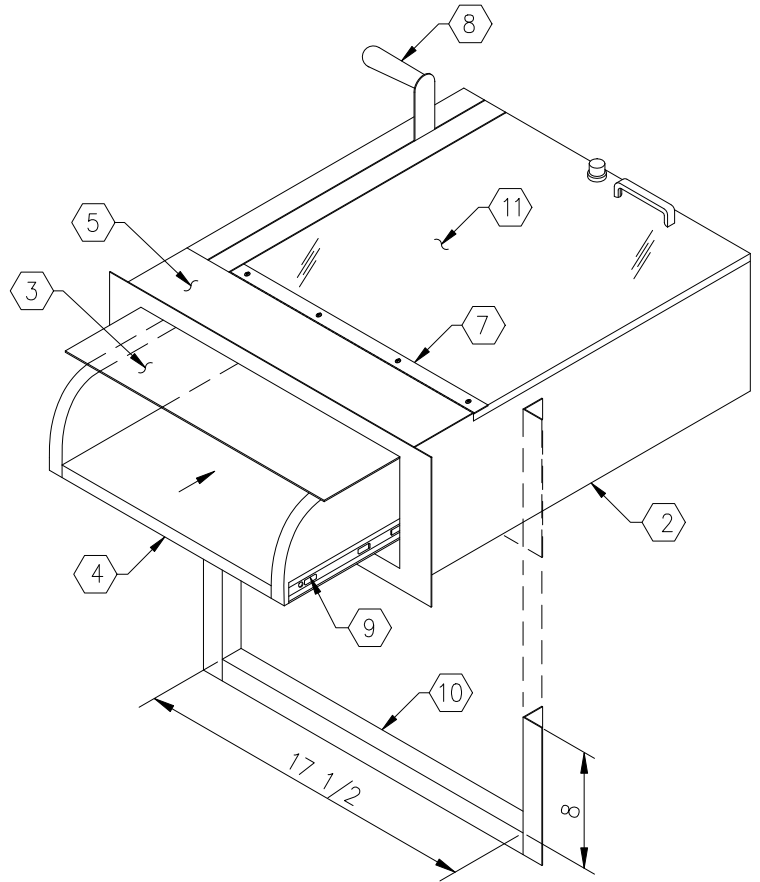
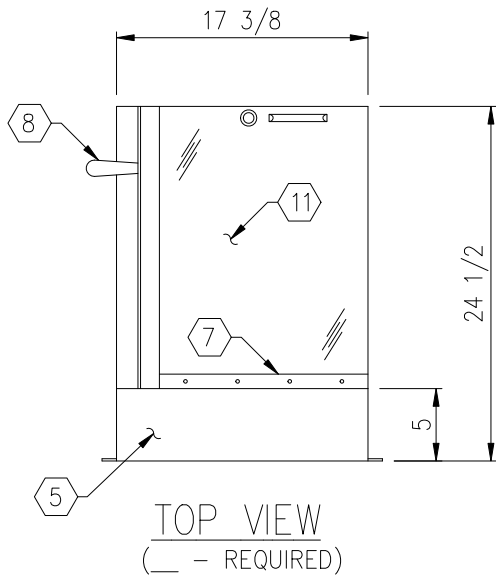


NOTES:

- 1 UL LISTED ARMORTEX BULLET RESISTANT COMPOSITES
- 2 STAINLESS STEEL CASE
- 3 12 GA. STAINLESS STEEL DRAWER FRONT
- 4 PLASTIC DRAWER
- 5 STAINLESS STEEL HOOD
- 6 DROP BOLT LOCK
- 7 STAINLESS STEEL HINGE
- 8 DRAWER PUSH / PULL
- 9 SLIDING DRAWER TRACKS

- 10 THREE SIDED ADJUSTABLE MOUNTING FLANGE
- 11 TRANSPARENT LID WITH LOCKING LATCH / PULL



C:\ARMORTEX MASTERS - 2007\TRANSACTION DRAWERS\T1016008.DWG.DWG 02/19/07 @ 10:11 User: aperez

REVISIONS			<b>ARMORTEX</b> ® BULLET / BLAST RESISTANT PRODUCTS 5926 CORRIDOR PKWY SCHERTZ, TX 78154 TEL: 210-661-8306 800-880-8306 FAX: 210-661-8308		BALLISTIC LEVEL 3	
No.	DESCRIPTION	DATE			DRN.BY:	DATE:
			B. LEWIS	00-00-00		
			CHKD.BY:	DATE:		
			DRIVING No.	SHEET		
			T1016008	1 OF 1		
TITLE: ARMORTEX® BULLET RESISTANT TRANSACTION DRAWER MODEL SS-1724 UNLESS OTHERWISE SPECIFIED ALL DIMENSIONS ARE IN INCHES			PROJECT NAME: SCALE: NONE	PROJECT No.		