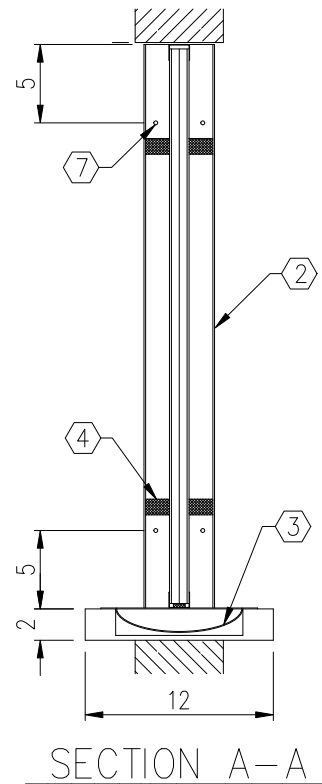
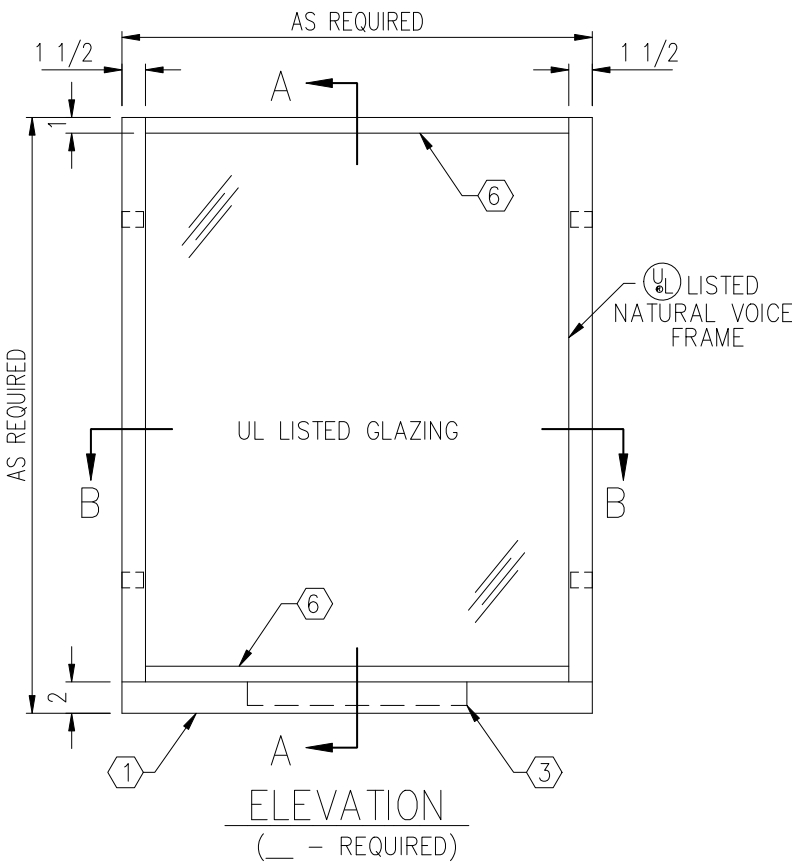
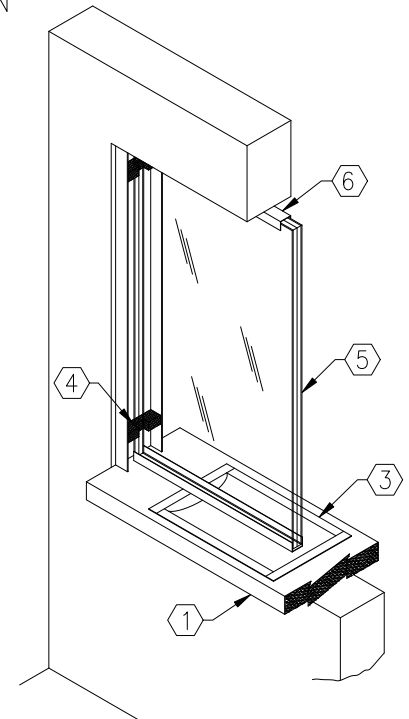
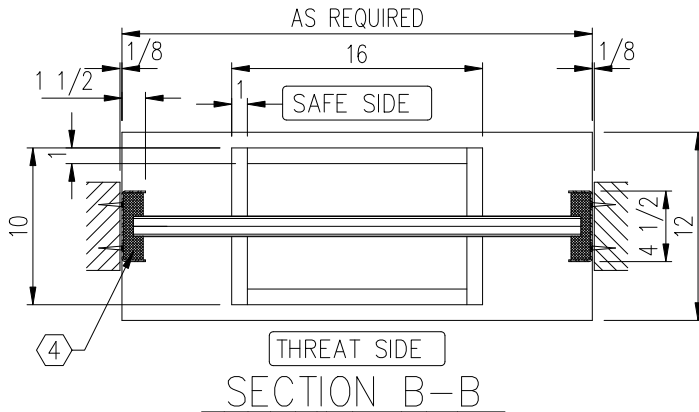


NOTES:

- ① HIGH PRESSURE LAMINATED BLACK PLASTIC SHELF (STAINLESS STEEL OPTIONAL)
- ② 12 GA. STAINLESS STEEL FRAME
- ③ 16 GA. STAINLESS STEEL DIP TRAY
- ④ NATURAL VOICE SPACERS
- ⑤ ARMORTEX BULLET RESISTANT GLAZING
- ⑥ 20 GA. STAINLESS STEEL CAP TOP AND BOTTOM OF GLAZING

- ⑦ .257 DIA. ANCHOR HOLES (8-PLCS.) (ANCHOR AS REQUIRED, BY OTHERS)
- ⑧ REQUIRED FINISHED OPENING IS 1/4" GREATER THAN OVERALL DIMENSIONS



C:\ARMORTEX MASTERS - 2007\WINDOWS\W1011000.DWG.DWG 02/13/07 @ 09:40 User: operez

REVISIONS			ARMORTEX ® BULLET / BLAST RESISTANT PRODUCTS 5926 CORRIDOR PKWY SCHERTZ, TX 78154 TEL: 210-661-8306 800-880-8306 FAX: 210-661-8308		BALLISTIC LEVEL	
No.	DESCRIPTION	DATE			DRN.BY:	DATE:
			B. LEWIS	00-00-00		
			CHKD.BY:	DATE:		
MODEL SSTW			TITLE:	PROJECT NAME:	DRAWING No.	SHEET
UNLESS OTHERWISE SPECIFIED ALL DIMENSIONS ARE IN INCHES			ARMORTEX® BULLET RESISTANT TRANSACTION WINDOW SSTW		W1011000	1 OF 1
			SCALE	PROJECT No.		
			NONE			