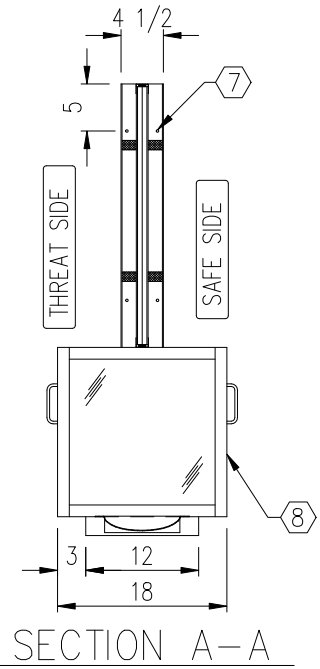
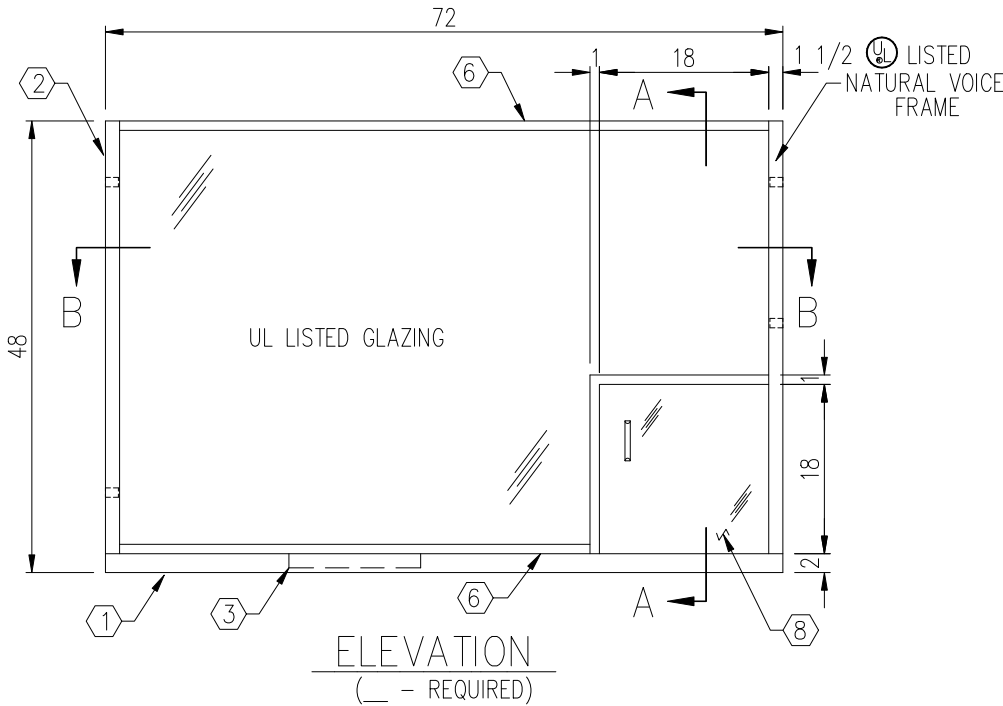
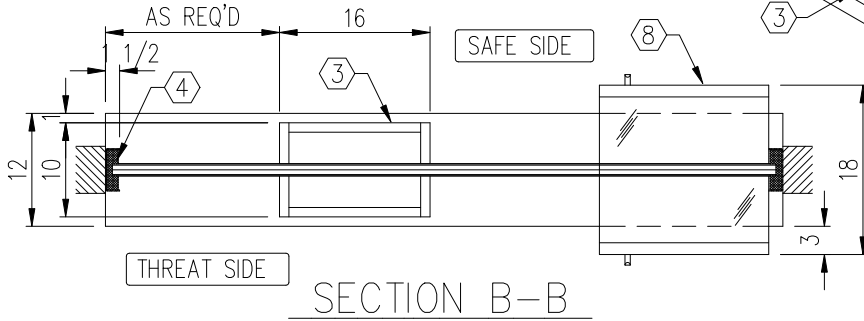
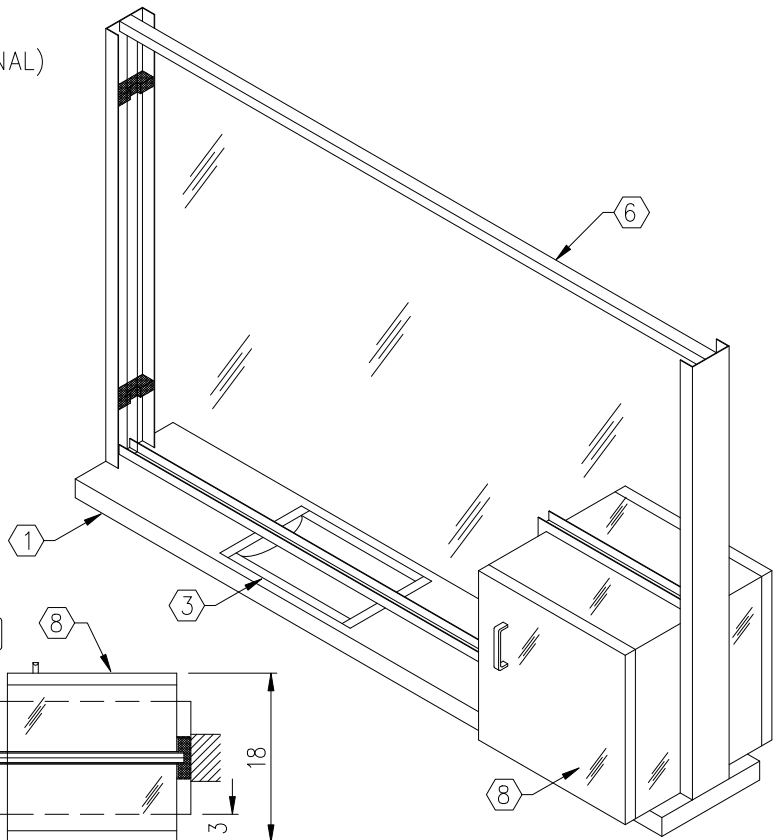


NOTES:

- ① HIGH PRESSURE LAMINATED BLACK PLASTIC SHELF (STAINLESS STEEL OPTIONAL)
- ② 12 GA. STAINLESS STEEL FRAME
- ③ 16 GA. STAINLESS STEEL DIP TRAY
- ④ NATURAL VOICE SPACER
- ⑤ UL LISTED ARMORTEX BULLET RESISTANT POLYCARBONATE
- ⑥ 20 GA. STAINLESS STEEL CAP TOP AND BOTTOM OF GLAZING
- ⑦ .257 DIA. ANCHOR HOLES (8-PLACES) (ANCHORS AS REQUIRED, BY OTHERS)
- ⑧ PACKAGE RECEIVER (POLYCARBONATE)
- ⑨ REQUIRED FINISHED OPENING IS 1/4" GREATER THAN OVERALL DIMENSIONS



C:\ARMORTEX MASTERS - 2007\WINDOWS\W1011007.DWG 02/13/07 @ 09:17 User: aperez

REVISIONS			<b>ARMORTEX®</b> BULLET / BLAST RESISTANT PRODUCTS 5926 CORRIDOR PKWY SCHERTZ, TX 78154 TEL: 210-661-8306 800-880-8306 FAX: 210-661-8308		BALLISTIC LEVEL	
No.	DESCRIPTION	DATE			DRN.BY:	DATE:
			B. LEWIS	00-00-00		
TITLE: ARMORTEX® BULLET RESISTANT TRANSACTION WINDOW WITH TRANSPARENT PACKAGE RECEIVER  UNLESS OTHERWISE SPECIFIED ALL DIMENSIONS ARE IN INCHES			CHKD.BY:	DATE:		
			PROJECT NAME:			
MODEL SSTW-07			SCALE: NONE	PROJECT No. _____	DRAWING No. W1011007	SHEET 1 OF 1