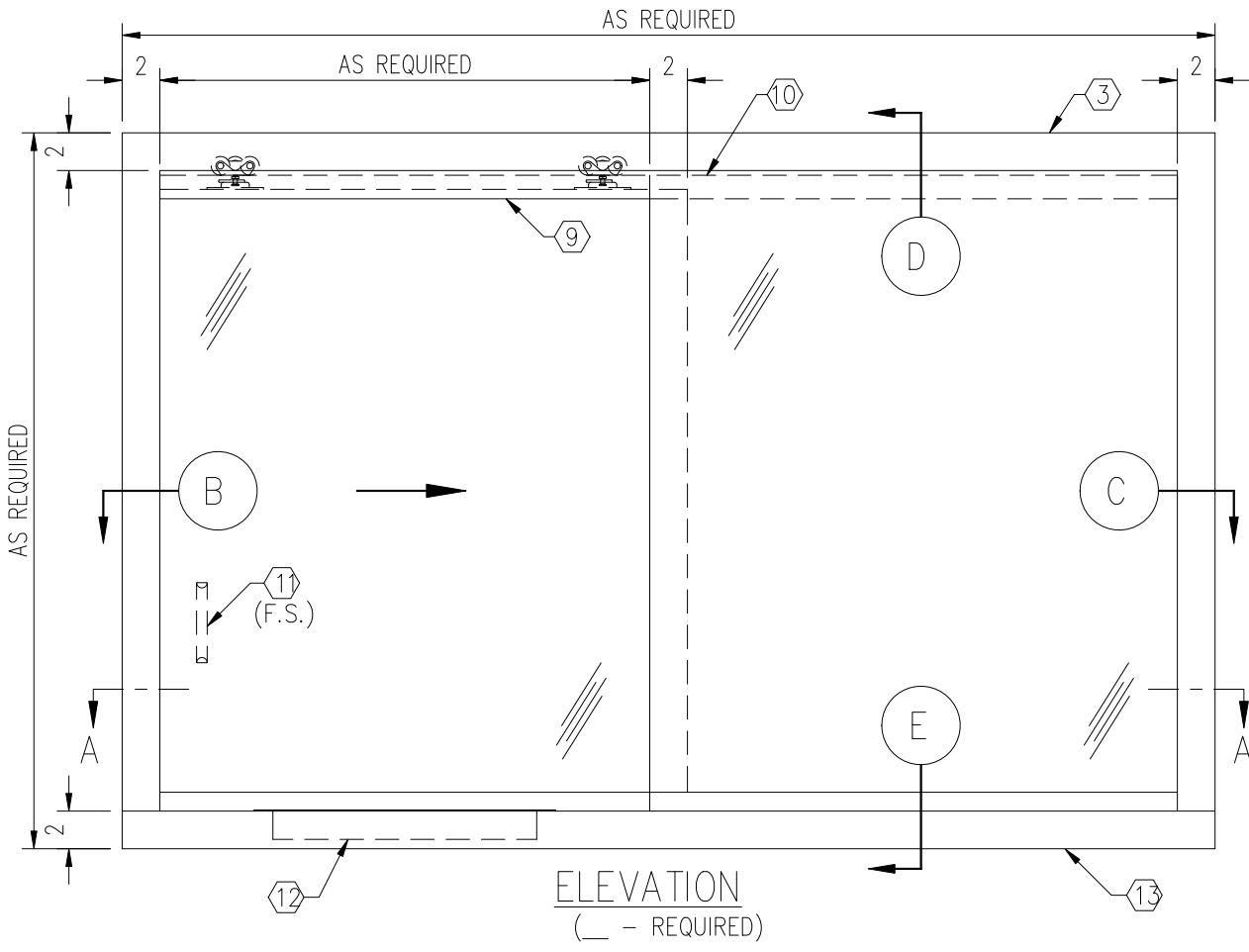
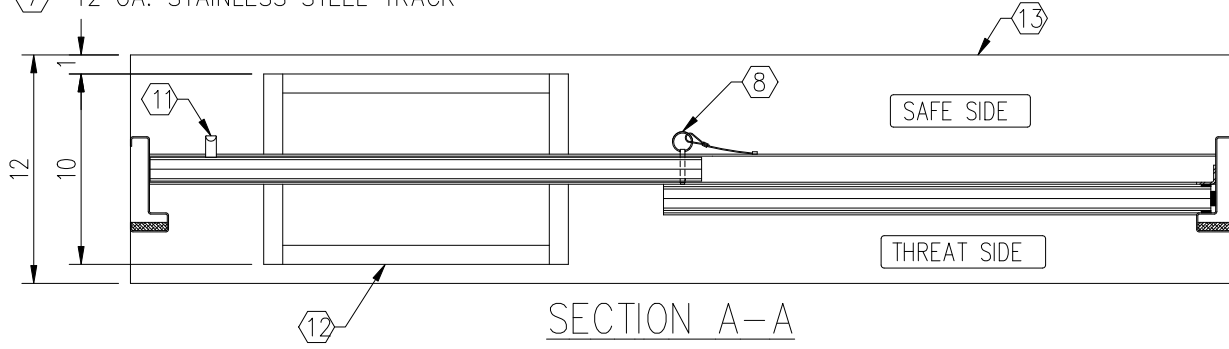


NOTES:

- ① UL LISTED ARMORTEX BULLET RESISTANT COMPOSITES
- ② FLUSH WELD ALL CORNERS BY MECHANICAL MEANS
- ③ 16 GA. PRIME PAINTED STEEL FRAME (STAINLESS STEEL OPTIONAL)
- ④ NEOPRENE SETTING BLOCKS (TYP. AT 4 SIDES)
- ⑤ TREMCO-440 GLAZING TAPE
- ⑥ UL LISTED ARMORTEX BULLET RESISTANT GLAZING TP 300 OR 1 1/4" ACRYLIC
- ⑦ 12 GA. STAINLESS STEEL TRACK
- ⑧ 1/4" ~ QUICK-RELEASE PIN W/ NYLON COATED CABLE
- ⑨ 12 GA. STAINLESS STEEL ROLLER GUARD
- ⑩ ROLLER TRACK (1500 SERIES)
- ⑪ HANDPULL
- ⑫ 16 GA. STAINLESS STEEL DIP TRAY (MODEL RMDT-1016)
- ⑬ HIGH PRESSURE LAMINATED BLACK PLASTIC SHELF (STAINLESS STEEL OPTIONAL)
- ⑭ ANCHORS AS REQUIRED (BY OTHERS)



C:\ARMORTEX MASTERS - 2007\WINDOWS\W1011023.DWG 02/13/07 @ 10:47 User: operez

REVISIONS			<b>ARMORTEX</b> ® BULLET / BLAST RESISTANT PRODUCTS		BALLISTIC LEVEL	
No.	DESCRIPTION	DATE	5926 CORRIDOR PKWY SCHERTZ, TX 78154		DRN.BY:	DATE:
			TEL: 210-661-8306 800-880-8306 FAX: 210-661-8308		B. LEWIS	00-00-00
			TITLE: ARMORTEX® BULLET RESISTANT TRANSACTION SLIDING WINDOW		CHKD.BY:	DATE:
MODEL SSTW-23			UNLESS OTHERWISE SPECIFIED ALL DIMENSIONS ARE IN INCHES		DRAWING No.	SHEET
			SCALE: NONE	PROJECT No. _____	W1011023	1 OF 2