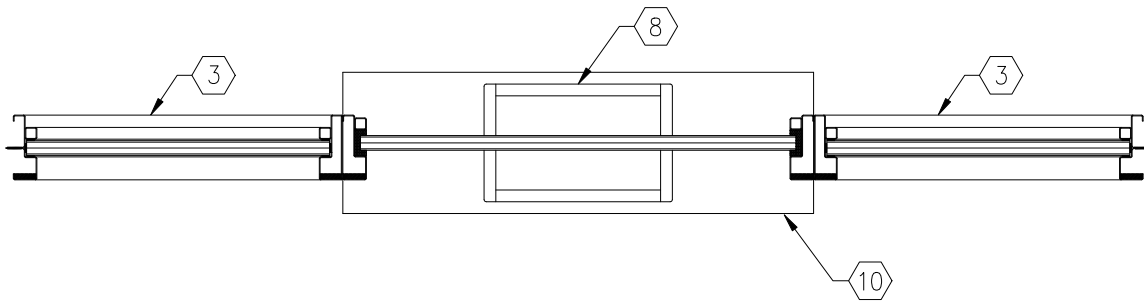
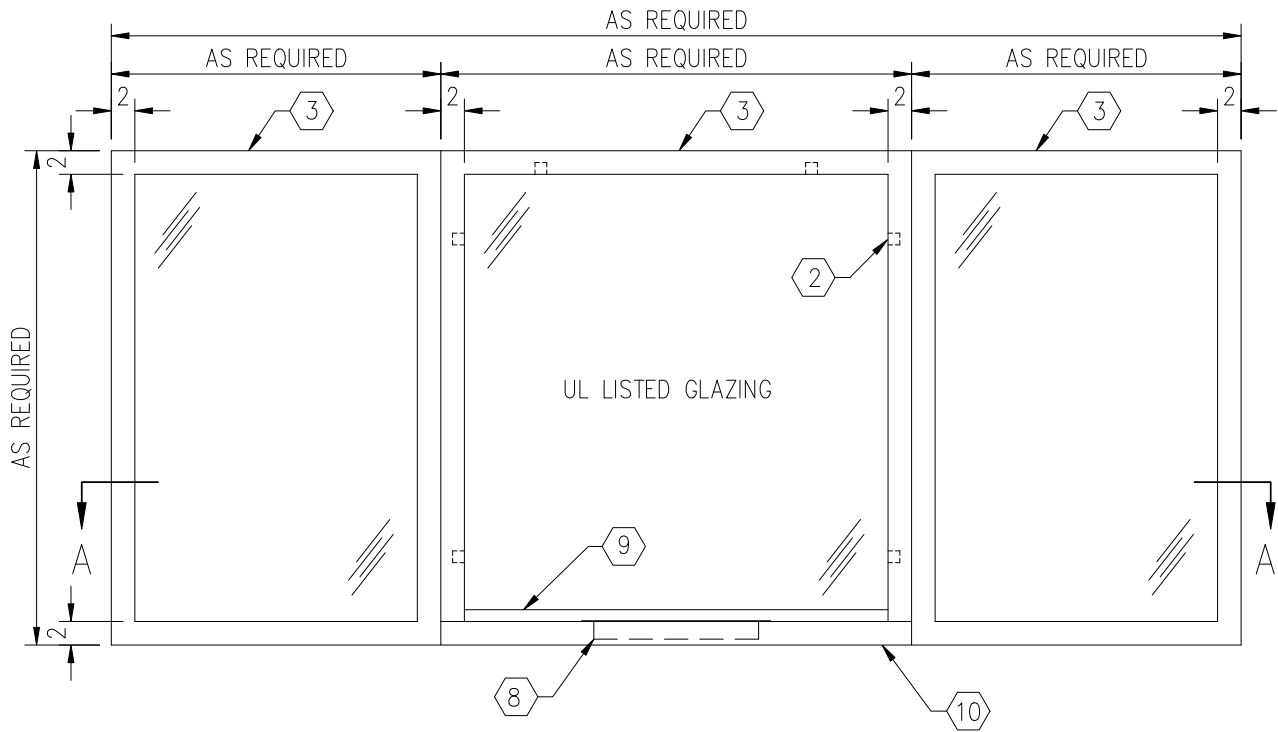


NOTES:

- (1) UL LISTED ARMORTEX BULLET RESISTANT COMPOSITES
- (2) NATURAL VOICE SPACER
- (3) 16 GA. PRIME PAINTED STEEL FRAME (STAINLESS STEEL OPTIONAL)
- (4) UL LISTED ARMORTEX BULLET RESISTANT GLAZING
- (5) REMOVABLE STOP 1" x 1"
- (6) NEOPRENE SETTING BLOCKS
- (7) TREMCO-440 GLAZING TAPE
- (8) 16 GA. STAINLESS STEEL DIP TRAY (MODEL RMDT-1016)
- (9) 20 GA. STAINLESS STEEL CAP
- (10) HIGH PRESSURE LAMINATED BLACK PLASTIC SHELF (STAINLESS STEEL OPTIONAL)
- (11) ANCHORS AS REQUIRED (BY OTHERS)



SECTION A-A



ELEVATION  
(\_\_ - REQUIRED)

C:\ARMORTEX MASTERS - 2007\WINDOWS\W1011029.DWG.DWG 02/13/07 @ 11:28 User: aperez

REVISIONS			<b>ARMORTEX</b> ® BULLET / BLAST RESISTANT PRODUCTS		BALLISTIC LEVEL	
No.	DESCRIPTION	DATE	5926 CORRIDOR PKWY SCHERTZ, TX 78154		DRN.BY:	DATE:
			TEL: 210-661-8306 800-880-8306 FAX: 210-661-8308		B. LEWIS	00-00-00
			TITLE: ARMORTEX® BULLET RESISTANT TRANSACTION WINDOW WITH SIDE LITES		CHKD.BY:	DATE:
			UNLESS OTHERWISE SPECIFIED ALL DIMENSIONS ARE IN INCHES		DRAWING No.	SHEET
			SCALE: NONE	PROJECT No.	W1011029	1 OF 1