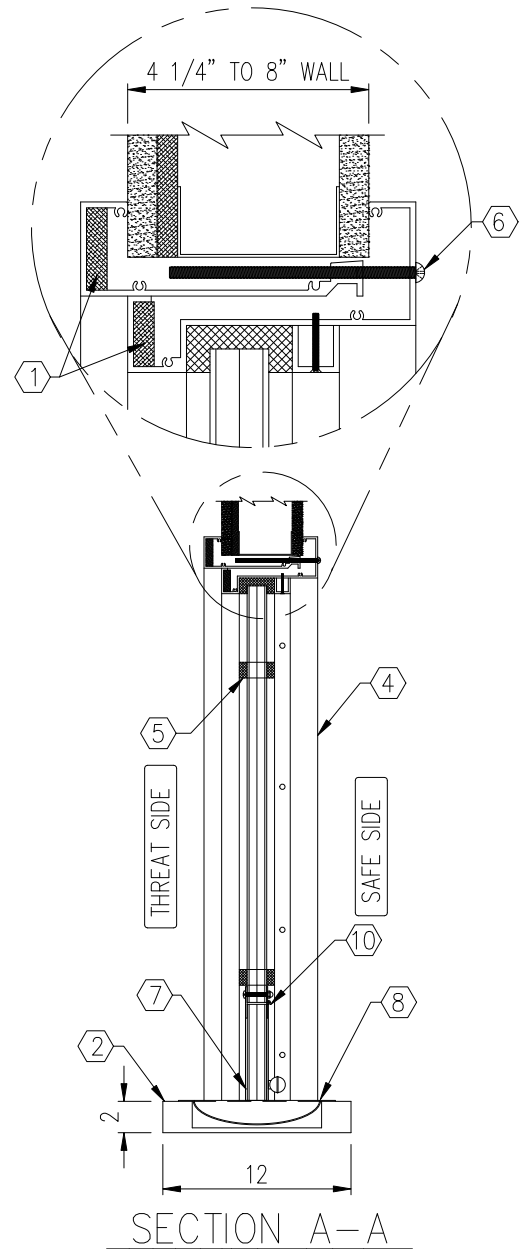
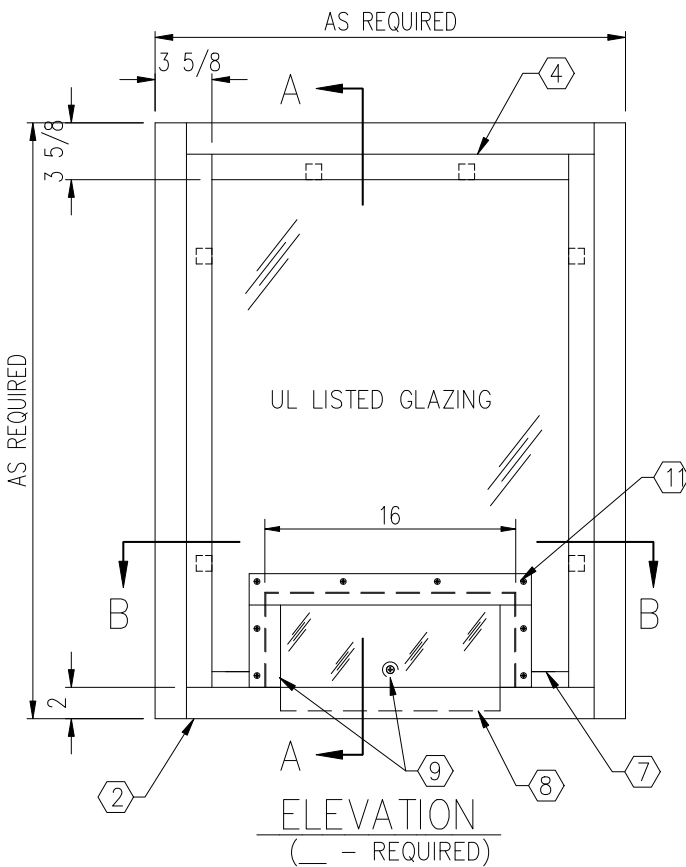
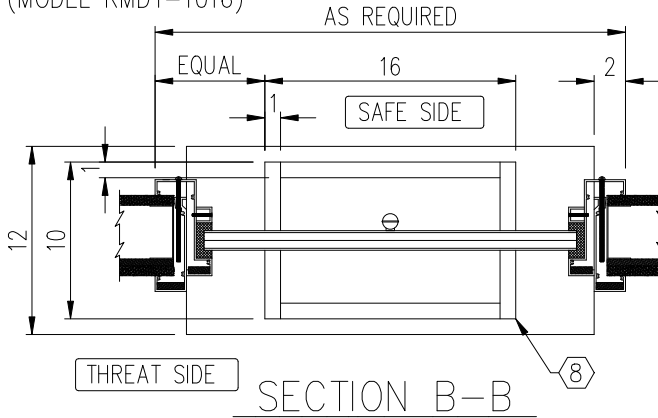


NOTES:

- ① UL LISTED ARMORTEX BULLET RESISTANT COMPOSITES
- ② HIGH PRESSURE LAMINATED BLACK PLASTIC SHELF (STAINLESS STEEL OPTIONAL)
- ③ UL LISTED ARMORTEX BULLET RESISTANT GLAZING
- ④ EXTRUDED ALUMINUM FRAME (CLEAR ANODIZED)
- ⑤ NATURAL VOICE SPACER
- ⑥ ADJUSTMENT SCREW
- ⑦ 20 GA. STAINLESS STEEL CAP
- ⑧ 16 GA. STAINLESS STEEL DIP TRAY (MODEL RMDT-1016)
- ⑨ PULL AND SECURITY LATCH
- ⑩ STAINLESS STEEL HINGE
- ⑪ 12 GA. STAINLESS STEEL ASTRAGAL (BOTH ENDS AND BOTH SIDES)

ALL ALUMINUM TO BE CLEAR ANODIZED  
 ALL TYPES OF BULLET RESISTANT GLAZING AVAILABLE IN MOST PROTECTION LEVELS  
 FRAMES AVAILABLE IN LEVELS 1, 2, 3 & 4



C:\ARMORTEX MASTERS - 2007\WINDOWS\ALUMINUM\W1011503.DWG.DWG 02/13/07 @ 14:19 User: operez

REVISIONS			<b>ARMORTEX</b> ® BULLET / BLAST RESISTANT PRODUCTS		BALLISTIC LEVEL	
No.	DESCRIPTION	DATE	5926 CORRIDOR PKWY SCHERTZ, TX 78154		DRN.BY:	DATE:
			TEL: 210-661-8306 800-880-8306 FAX: 210-661-8308		B. LEWIS	00-00-00
			TITLE: ARMORTEX® BULLET RESISTANT CLAMP-ON ALUMINUM NATURAL VOICE TRANSACTION WINDOW		CHKD.BY:	DATE:
			UNLESS OTHERWISE SPECIFIED ALL DIMENSIONS ARE IN INCHES		DRAWING No.	SHEET
			SCALE NONE	PROJECT No.	W1011503	1 OF 1