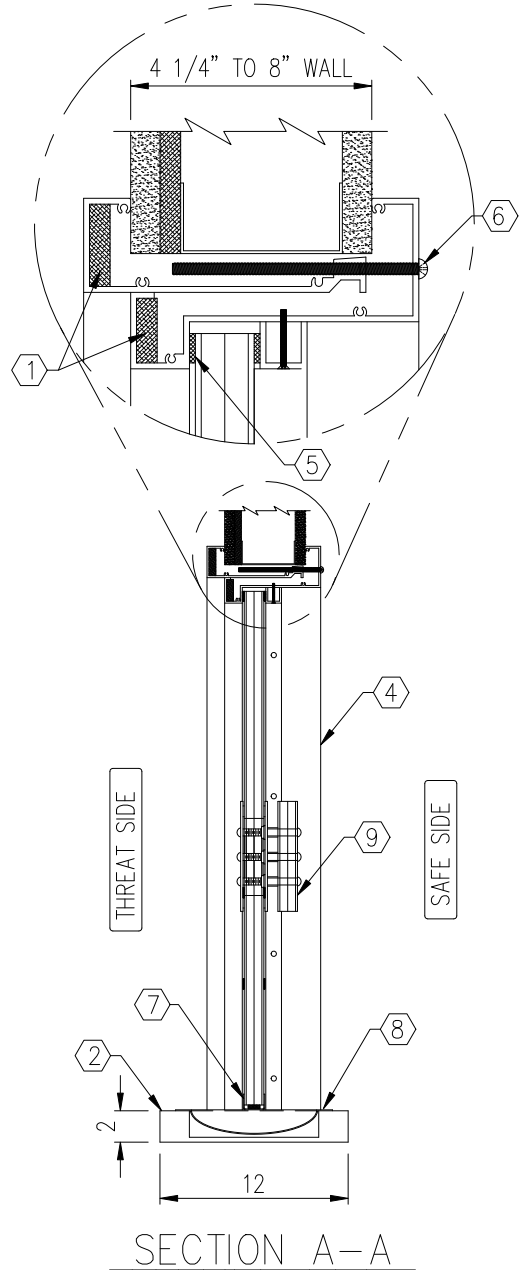
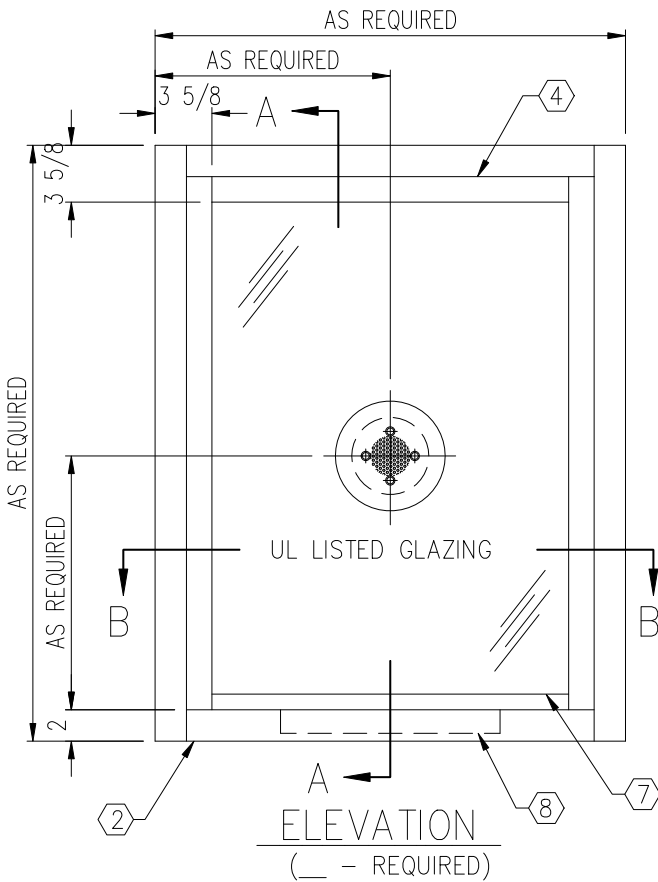
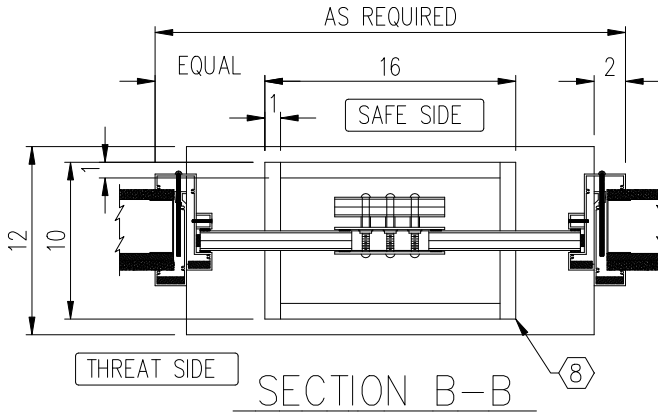


NOTES:

- ① UL LISTED ARMORTEX BULLET RESISTANT COMPOSITES
- ② HIGH PRESSURE LAMINATED BLACK PLASTIC SHELF (STAINLESS STEEL OPTIONAL)
- ③ UL LISTED ARMORTEX BULLET RESISTANT GLAZING
- ④ EXTRUDED ALUMINUM FRAME (CLEAR ANODIZED)
- ⑤ TREMCO-440 GLAZING TAPE
- ⑥ ADJUSTMENT SCREW

- ⑦ 20 GA. STAINLESS STEEL CAP
- ⑧ 16 GA. STAINLESS STEEL DIP TRAY (MODEL RMDT-1016)
- ⑨ SPEAKER (MODEL SSBRS-7)

ALL ALUMINUM TO BE CLEAR ANODIZED
 ALL TYPES OF BULLET RESISTANT GLAZING AVAILABLE IN MOST PROTECTION LEVELS
 FRAMES AVAILABLE IN LEVELS 1, 2, 3 & 4



C:\ARMORTEX MASTERS - 2007\WINDOWS\ALUMINIUM\W1011507.DWG.DWG 02/13/07 @ 14:53 User: operez

REVISIONS			ARMORTEX ® BULLET / BLAST RESISTANT PRODUCTS		BALLISTIC LEVEL	
No.	DESCRIPTION	DATE	5926 CORRIDOR PKWY SCHERTZ, TX 78154		DRN.BY:	DATE:
			TEL: 210-661-8306 800-880-8306 FAX: 210-661-8308		B. LEWIS	00-00-00
			TITLE: ARMORTEX® BULLET RESISTANT CLAMP-ON ALUMINUM FIXED TRANSACTION WINDOW WITH SPEAKER		CHKD.BY:	DATE:
			UNLESS OTHERWISE SPECIFIED ALL DIMENSIONS ARE IN INCHES		DRAWING No.	SHEET
			SCALE: NONE	PROJECT No.	W1011507	1 OF 1