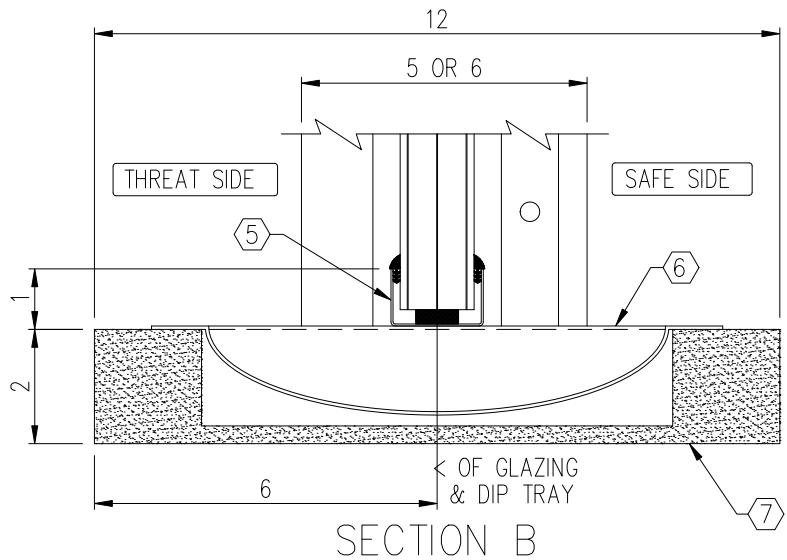
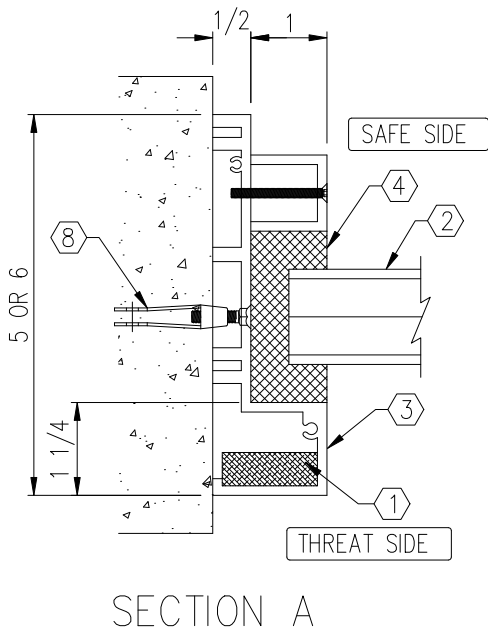
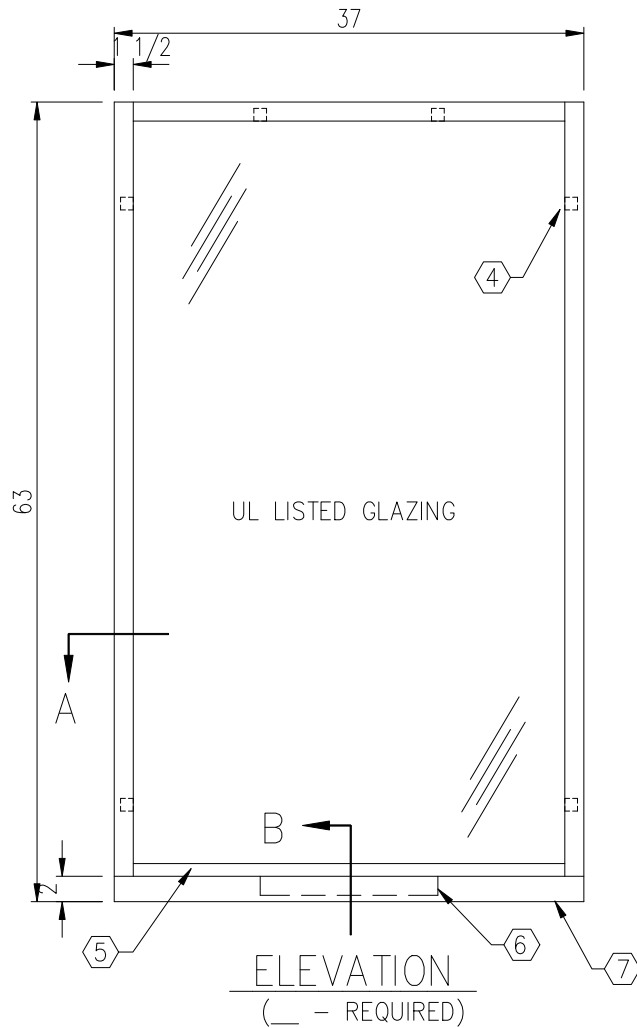


NOTES:

- ① UL LISTED ARMORTEX BULLET RESISTANT COMPOSITES
- ② UL LISTED ARMORTEX BULLET RESISTANT GLAZING
- ③ EXTRUDED ALUMINUM FRAME (CLEAR ANODIZED)
- ④ NATURAL VOICE SPACER
- ⑤ 20 GA. STAINLESS STEEL CAP
- ⑥ 16 GA. STAINLESS STEEL DIP TRAY
- ⑦ HIGH PRESSURE LAMINATED BLACK PLASTIC SHELF (STAINLESS STEEL OPTIONAL)
- ⑧ ANCHORS AS REQUIRED (BY OTHERS)



C:\ARMORTEX MASTERS - 2007\WINDOWS\ALUMINUM\W1011514.DWG.DWG 02/13/07 @ 15:28 User: aperez

REVISIONS		
No.	DESCRIPTION	DATE

ARMORTEX® BULLET / BLAST RESISTANT PRODUCTS

5926 CORRIDOR PKWY SCHERTZ, TX 78154
 TEL: 210-661-8306 800-880-8306 FAX: 210-661-8308

TITLE: ARMORTEX® BULLET RESISTANT ALUMINUM NATURAL VOICE TRANSACTION WINDOW SSATW	PROJECT NAME:
UNLESS OTHERWISE SPECIFIED ALL DIMENSIONS ARE IN INCHES	SCALE: NONE
PROJECT No.	

BALLISTIC LEVEL 1	
DRN.BY: B. LEWIS	DATE: 00-00-00
CHKD.BY:	DATE:
DRAWING No. W1011514	SHEET 1 OF 1