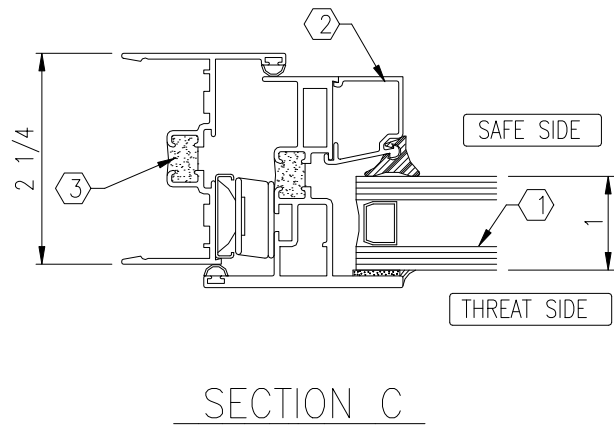
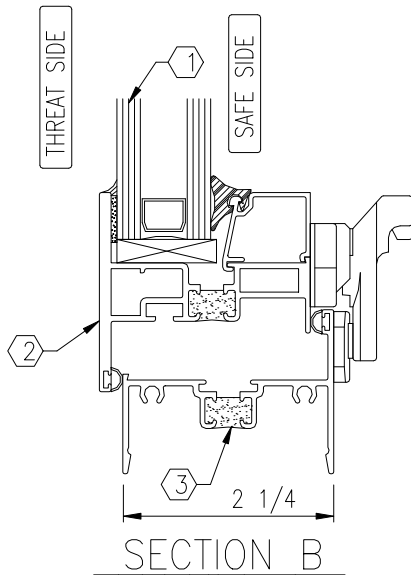
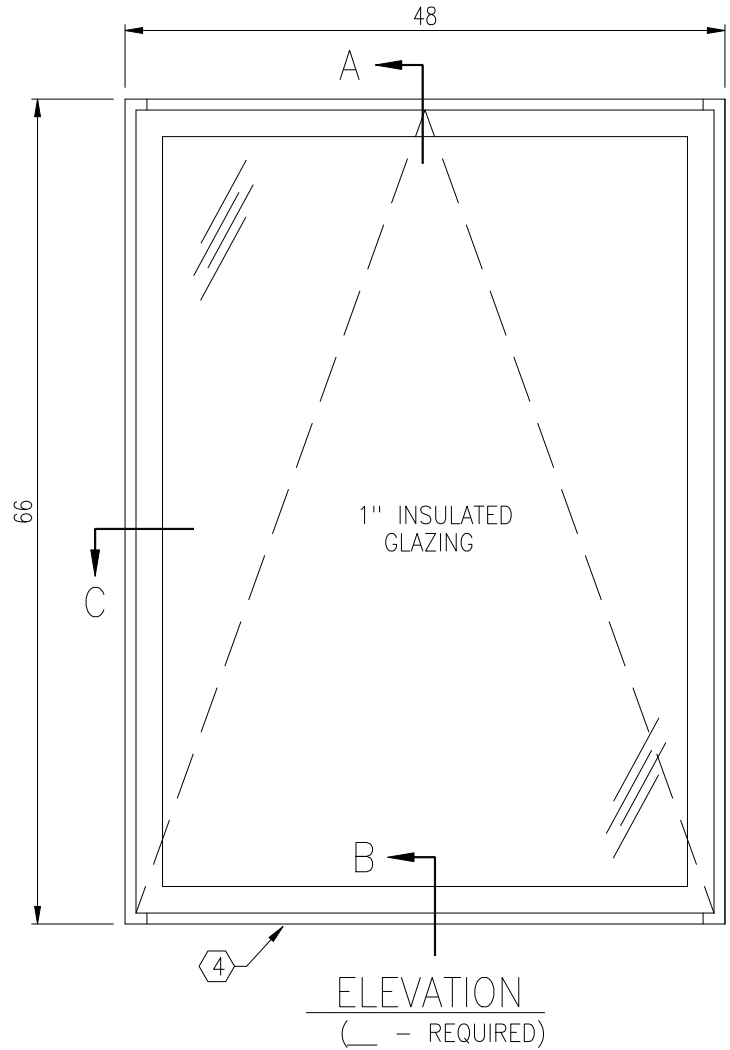
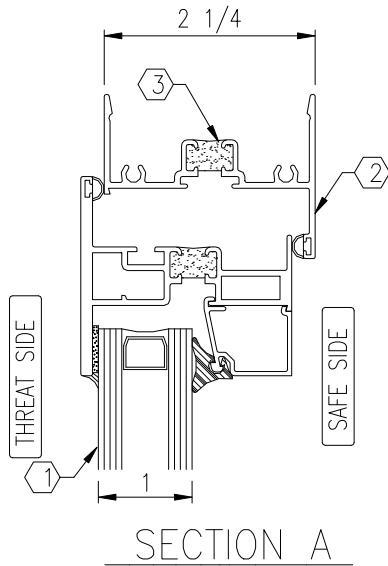


NOTES:

- ① ARMORTEX[®] GLAZING
- ② EXTRUDED ALUMINUM FRAME (CLEAR ANODIZED)
- ③ THERMAL BREAK
- ④ #10 ANCHORS AS REQUIRED BY OTHERS
- ⑤ CAULK AS REQUIRED



C:\ARMORTEX MASTERS - 2007\WINDOWS\COLUMBIA\COLUMBIA PROJECTED WINDOW.DWG.DWG 09/15/08 @ 08:55 User: blewis

REVISIONS			ARMORTEX[®] BULLET / BLAST RESISTANT PRODUCTS 5926 CORRIDOR PKWY SCHERTZ, TX 78154 TEL: 210-661-8306 800-880-8306 FAX: 210-661-8308		5.8 psi 40 psi-ms	
No.	DESCRIPTION	DATE			DRN.BY:	DATE:
			B. LEWIS	7-25-08		
			CHKD.BY:	DATE:		
			DRAWING No.	SHEET		
			W1011820	1 OF 1		
TITLE: ARMORTEX [®] BLAST ALUMINUM LP 225 PROJECTED WINDOWS			PROJECT NAME:		SCALE	PROJECT No.
UNLESS OTHERWISE SPECIFIED ALL DIMENSIONS ARE IN INCHES					NONE	