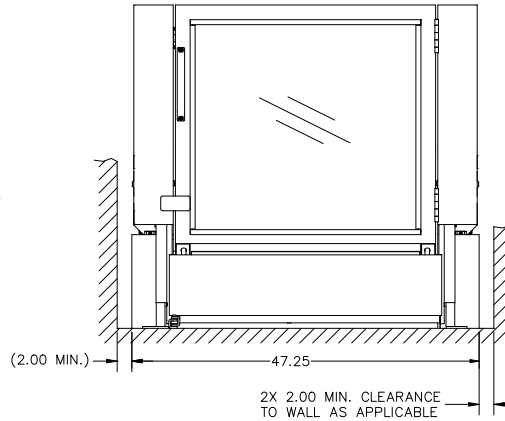


THIS DOCUMENT CONTAINS PROPRIETARY INFORMATION AND EXCEPT WITH WRITTEN PERMISSION BY GGM CONTAINER CONTROLS, INC. SUCH INFORMATION SHALL NOT BE PUBLISHED, DISCLOSED TO OTHERS OR USED FOR ANY PURPOSE AND THE DOCUMENT SHALL NOT BE DUPLICATED IN WHOLE OR IN PART.

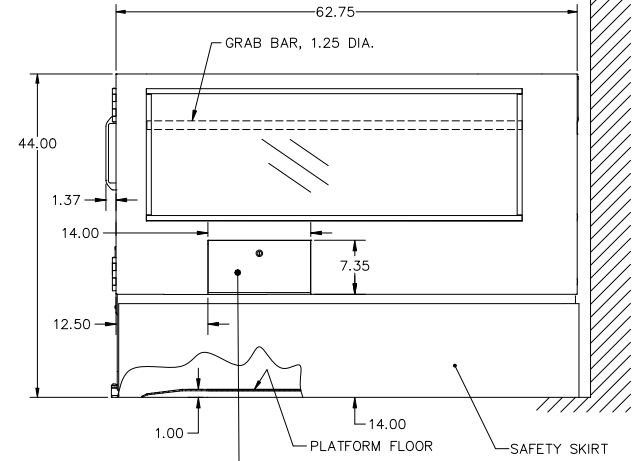
REVISIONS				
ZONE	LTR.	DESCRIPTION	DATE	APPROVED
---	C	REVISED IAW DCN 07-009-N	JMO 2-26-07	EJZ
---	D	NO CHANGE TO THIS SHEET	JMO 3-8-07	EJZ
---	E	CORRECTED DESCRIPTION	JMO 5-10-07	EJZ
---	F	REVISED IAW DCN 07-035-N	JMO 7-19-07	EJZ
CB,BB	G	NOTES: PLATFORM WAS LIFT CAR, REMOVED DOCK PLATE	JMO 8-31-07	EJZ
BB	H	ADDED NOTES 5.2, 5.3. REMOVED EXTERNAL SWITCHES (COMBINED SHEETS 1 & 2)	JMO 3-19-08	EJZ

NOTES UNLESS OTHERWISE SPECIFIED:

1. DESCRIPTION: VIRTUOSO WHEELCHAIR LIFT, MODEL 5460F.
2. CHARACTERISTICS:
  - 2.1 WEIGHT: 1025 POUNDS.
  - 2.2 MATERIALS:
    - 2.2.1 BASE, PLATFORM, GUIDE RAILS: ASTM A36, ASTM A570, OR AISI 1018-1020 STEEL.
    - 2.2.2 WINDOWS: TRANSPARENT HIGH IMPACT THERMOPLASTIC.
    - 2.2.3 SAFETY SKIRT: PLASTIC.
    - 2.2.4 FINISH:
      - 2.2.4.1 BASE: POWDER COATED, BLACK.
      - 2.2.4.2 SAFETY SKIRT: BLACK.
      - 2.2.4.3 PLATFORM: POWDER COATED, COLOR BLACK (-1), OR OPTIONAL COLOR (-99).
3. OPERATION:
  - 3.1 OCCUPANCY: (1) PERSON.
  - 3.2 MAXIMUM LOAD: 750 POUNDS.
  - 3.3 AVERAGE VERTICAL SPEED: 7 FEET PER MINUTE.
  - 3.4 VERTICAL TRAVEL: 12 TO 60 INCHES.
4. FEATURES:
  - 4.1 OPERATING MECHANISM: DIRECT-PLUNGER HYDRAULIC.
  - 4.2 UNIT IS EQUIPPED WITH MANUAL HAND PUMP FOR EMERGENCY OPERATION.
  - 4.3 FRONT GATE INTERLOCK PREVENTS OPENING UNLESS PLATFORM IS AT LOWER LANDING.
  - 4.4 FRONT GATE INTERLOCK PREVENTS PLATFORM FROM MOVING MORE THAN 2 INCHES FROM LOWER LANDING UNLESS FRONT GATE IS LOCKED.
  - 4.5 GATE SENSORS PREVENT OPERATION UNLESS GATES ARE CLOSED.
  - 4.6 PLATFORM FLOOR IS SLIP-RESISTANT.
5. ELECTRICAL:
  - 5.1 120 VAC, 60 HZ, SINGLE PHASE, 13 AMP.
  - 5.2 (SHEET 2) LIFT CONTROLLER PROVIDED IN 12" HIGH X 10" WIDE X 4" DEEP BOX.
  - 5.3 LANDING OPERATING CONTROLS PROVIDED IN 1.88" DEEP SINGLE GANG HANDY BOXES FOR REMOTE MOUNTING.
  - 5.4 ALL CONTROL CIRCUITS POWERED BY 12 VDC SOLID STATE LINEAR POWER SUPPLY.
  - 5.5 UNIT INCLUDES LOCKABLE, FUSED DISCONNECT IAW NFPA 70.
6. LIGHTING: STANDARD AND EMERGENCY LIGHTING TO BE PROVIDED BY OTHERS.
7. UNIT MEETS APPLICABLE REQUIREMENTS OF ADAAG, ASME A18.1-2005 AND ANSI A117.1



FRONT END ELEVATION



HYDRAULIC HAND PUMP LOCATED BEHIND THIS ACCESS PANEL: ACCESS TO HAND PUMP OR BUILDING EMERGENCY POWER OR OPTIONAL BATTERY BACKUP IS REQUIRED

RIGHT SIDE ELEVATION

SPECIFICATION CONTROL DRAWING

PART NO.	COLOR
VIRTUOSO 5460F-1	BLACK
VIRTUOSO 5460F-99	OPTIONAL

INTERPRET DIMENSIONS AND TOLERANCES IAW ANSI Y14.5M-1992 UNLESS OTHERWISE SPECIFIED DIMENSIONS ARE IN INCHES DECIMALS .XX ±.025 ANGLES ±.5° .XXX ±.030		CONTRACT DATE 8-31-06 DRAWN BY M.ONTIVEROS CHECKED BY E.ZUERCHER APPROVED BY E.ZUERCHER MANUFACTURING DATE 9-5-06		GGM CONTAINER CONTROLS, INC. P.O. BOX 40020 - TUCSON, ARIZONA 85717-0020 TITLE VERTICAL WHEELCHAIR LIFT ASSEMBLY	
DO NOT SCALE DRAWING FINISH [2.3]		FSCM NO. 08992 DWG. NO. VIRTUOSO 5460F H		SCALE 1/4" = 1'-0" SHEET 1 OF 3	
PART DASH NO.	NEXT QTY. REQ'D PER ASSY.	FINAL	NEXT ASSY.	USED ON APPLICATION	REV