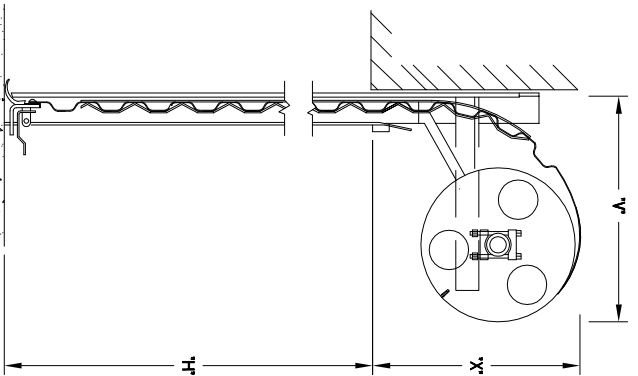
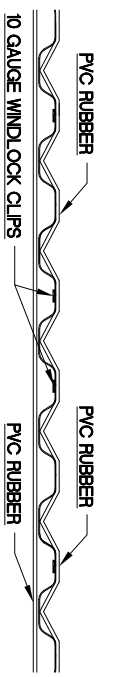
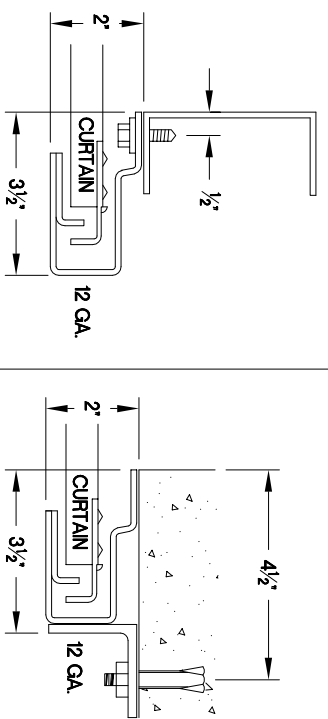


ELEVATION



SECTION-A-A

GUIDE DETAILS



GENERAL NOTES:

- CURTAIN: 26 GAUGE GALVANIZED STEEL, WITH BAKED ON EPOXY PRIMER AND POLYESTER TOP COAT
- GUIDES: ROLL FORMED 12 GAUGE GALVANIZED STEEL, WITH 12 GAUGE WINDLOCK INSERT
- OPERATION: RIGHT HAND SHOWN, LEFT HAND OPPOSITE
- OTHER SURFACES: GALVANIZED OR SHOP COAT PRIMER

SIDE ROOM REQUIREMENTS

<input type="checkbox"/>	CHOOSE TYPE OF OPERATION BELOW	A-1	A-2
<input type="checkbox"/>	HAND-ROPE PULL	7	7
<input type="checkbox"/>	REDUCTION GEAR CHAIN HOIST	10'	7
<input type="checkbox"/>	ELECTRIC MOTOR OPERATOR KIT	10'	7

MARK	QTY.	OPENING SIZE	OPERATION	RH	LH	CLEARANCES	OPTION
		WIDTH 'W'	HEIGHT 'H'			'X' 'Y'	

PROJECT: 4255 McEver Industrial Dr. Acworth, GA 30701
 ARCHITECT: PH(770) 924-2800
 CONTRACTOR: ASTA Door Corporation FAX(770) 974-1455
 DISTRIBUTOR: www.astadoor.com

MODEL 203 WINDLOCK COMMERCIAL SHEET DOOR

APPROVAL SIGNATURE: _____ DATE: _____

Asta Door Corporation is not responsible for the use of improper installation procedures, structural supports as well as field inspection prior to manufacturing and installation.