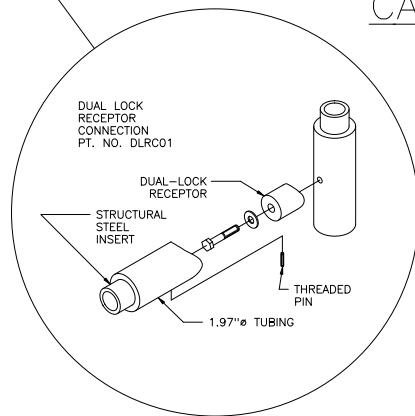


CAPE COD



SERIES: CLASSIC	DATE: 1/16/02
MODEL: CAPE COD	DRWG. NO. 0000
DESC: 0	REV. NO. 0
PROJECT: 0	DRAWN BY: R.N.C.
MANUFACTURED BY: AVCON	
PHONE (732) 286-9496	FAX (732) 286-0526

PROPRIETARY NOTE:
 ANY INFORMATION DISCLOSED HEREIN IS FURNISHED FOR EVALUATION PURPOSES ONLY AND SHALL NOT BE USED OR DISCLOSED EXCEPT AS SPECIFIED BY CONTRACT BETWEEN THE RECIPIENT AND AVCON INC.